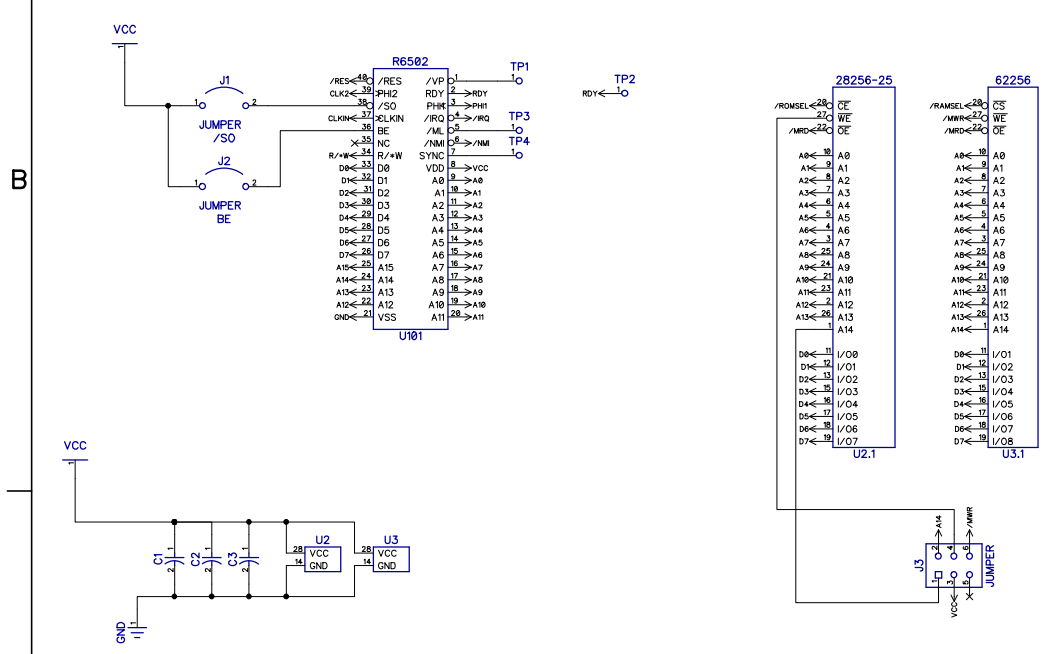


2

1

REVISIONS				
ZONE	REV	DESCRIPTION	DATE	APPROVED



B

B

A

A

2

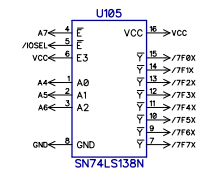
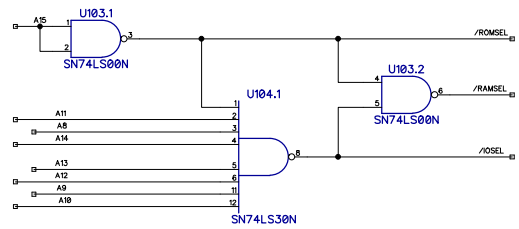
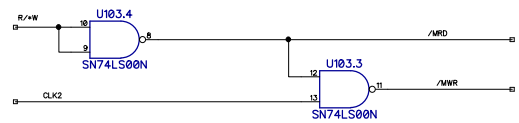
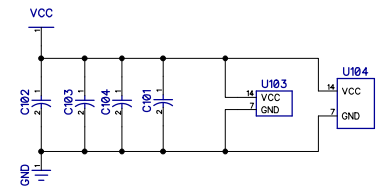
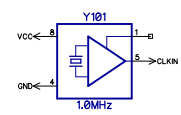
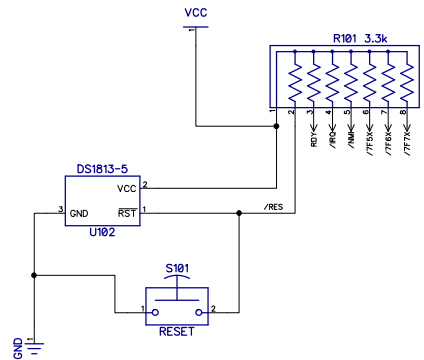
1

6502SBC Original: Daryl Rictor (2005) Redesign: Richard Cini (2015.5)			
SIZE A	FSCM NO.	DWG NO.	REV 27R1
SCALE	5/1/2015	CPU and Memory	

2

1

REVISIONS				
ZONE	REV	DESCRIPTION	DATE	APPROVED



B

B

A

A

2

1

6502SBC Original: Daryl Rictor (2005) Redesign: Richard Cini (2015.5)			
SIZE A	FSCM NO.	DWG NO.	REV 27R1
SCALE	5/1/2015	Clock and Decode	

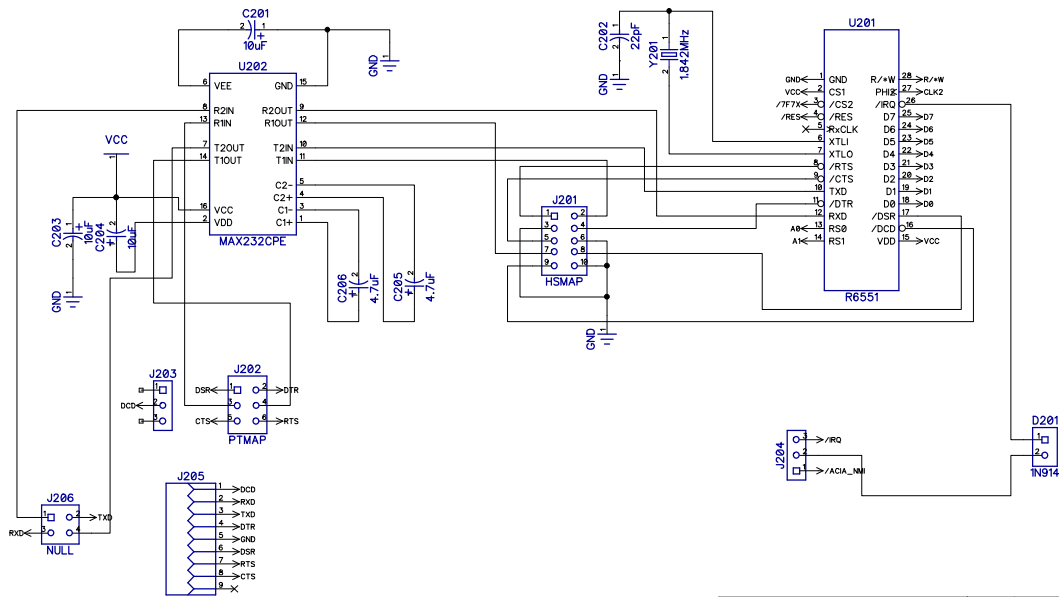
2

1

REVISIONS				
ZONE	REV	DESCRIPTION	DATE	APPROVED

B

B



A

A

6502SBC Original: Daryl Rictor (2005) Redesign: Richard Cini (2015.5)			
SIZE A	FSCM NO.	DWG NO.	REV 27R1
SCALE	5/1/2015	ACIA1	

2

1

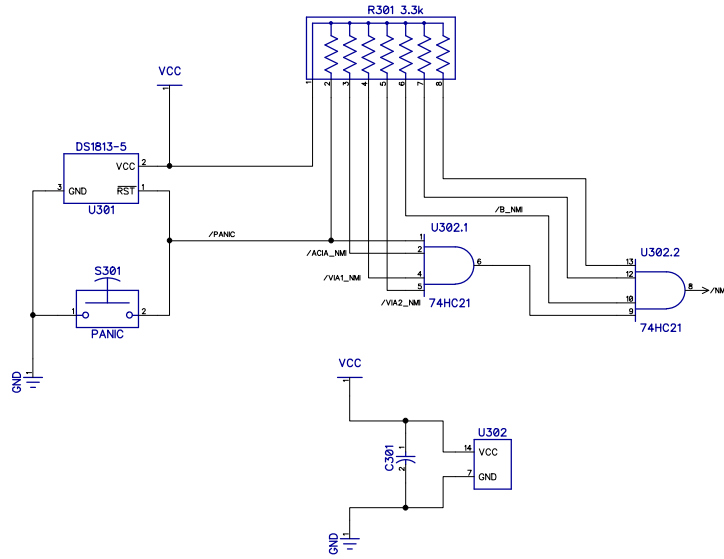
2

1

REVISIONS				
ZONE	REV	DESCRIPTION	DATE	APPROVED

B

B



A

A

2

1

6502SBC			
Original: Daryl Rictor (2005)			
Redesign: Richard Cini (2015.5)			
SIZE	FSCM NO.	DWG NO.	REV
A			27R1
SCALE	5/1/2015	NMI Panic	

2

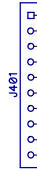
1

VIA for system use
All of PortA and CB1/CB2 used for IEC and Joystick

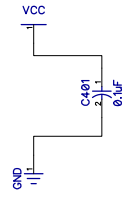
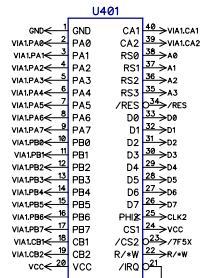
REVISIONS				
ZONE	REV	DESCRIPTION	DATE	APPROVED

B

B



General-purpose I/O



A

A

2

1

6502SBC Original: Daryl Rictor (2005) Redesign: Richard Cini (2015.5)			
SIZE A	FSCM NO.	DWG NO.	REV 27R1
SCALE	5/1/2015	VIA1	

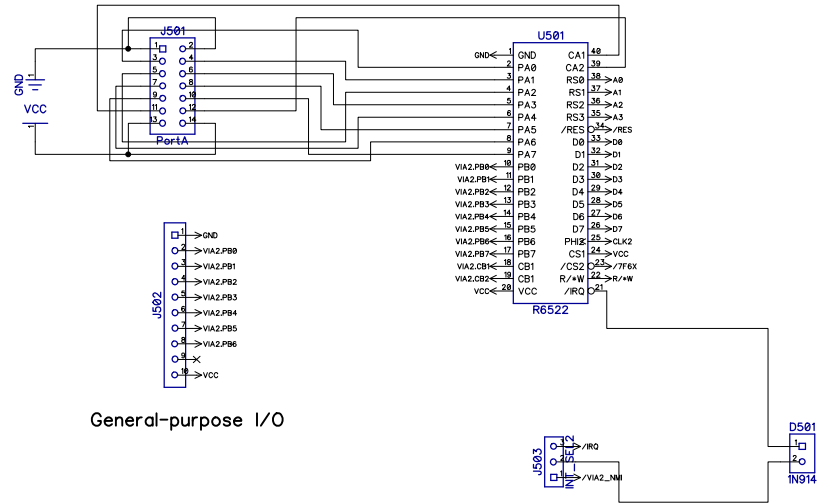
2

1

REVISIONS				
ZONE	REV	DESCRIPTION	DATE	APPROVED

B

B



General-purpose I/O

A

A

2

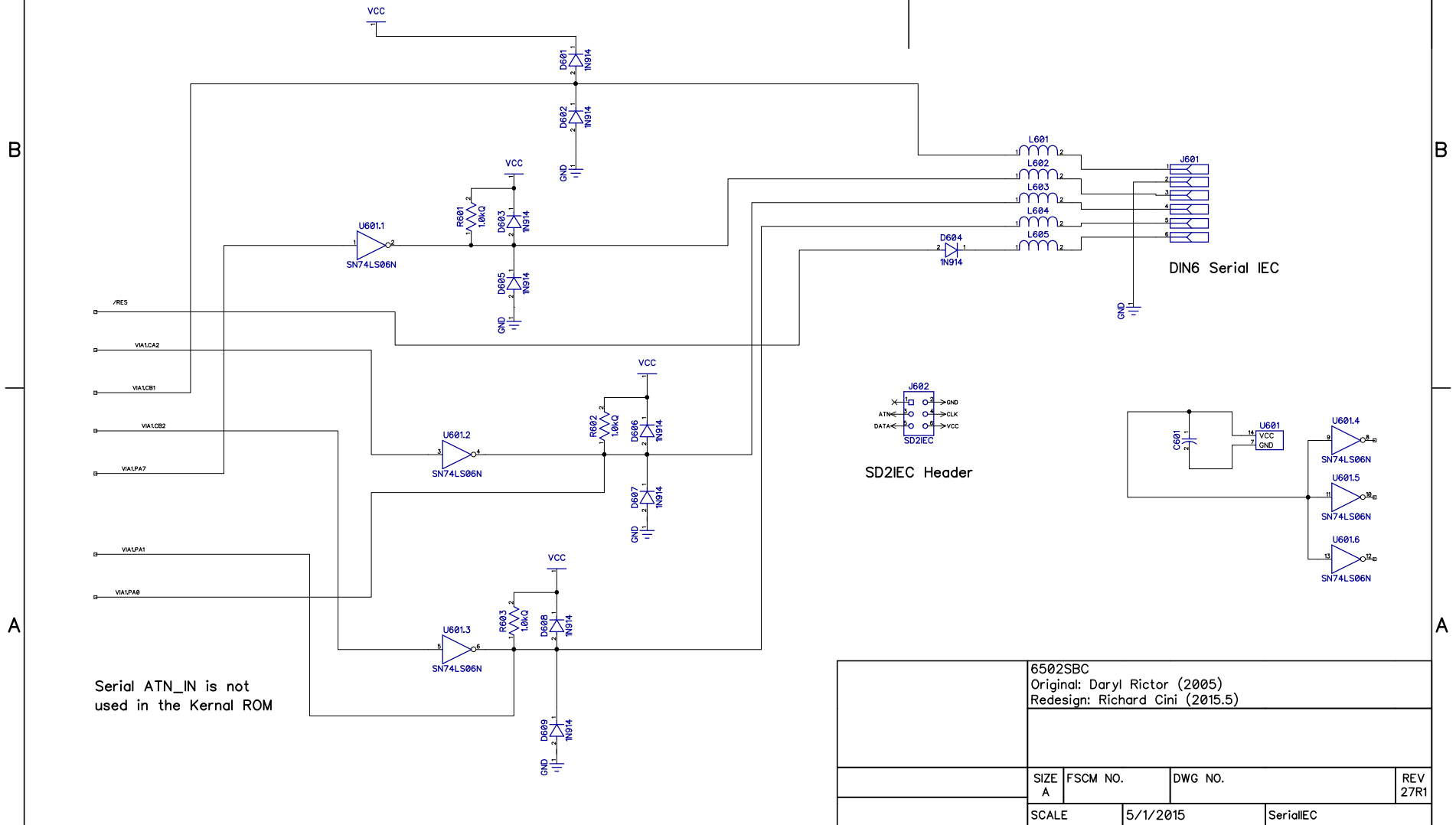
1

6502SBC Original: Daryl Rictor (2005) Redesign: Richard Cini (2015.5)			
SIZE A	FSCM NO.	DWG NO.	REV 27R1
SCALE	5/1/2015	VIA2	

2

1

REVISIONS				
ZONE	REV	DESCRIPTION	DATE	APPROVED



Serial ATN_IN is not used in the Kernal ROM

6502SBC Original: Daryl Rictor (2005) Redesign: Richard Cini (2015.5)			
SIZE A	FSCM NO.	DWG NO.	REV 27R1
SCALE		5/1/2015	SerialIEC

2

1

B

B

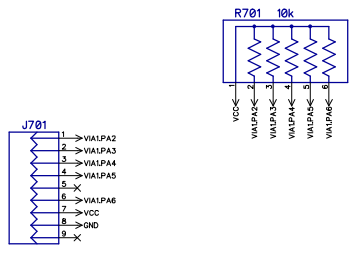
A

A

2

1

REVISIONS				
ZONE	REV	DESCRIPTION	DATE	APPROVED



Atari-compatible Joystick input.

- 1=JOY_U 2=JOY_D
- 3=JOY_L 4=JOY_R
- 6=JOY_F
- 8=GND

B

B

A

A

2

1

6502SBC		Original: Daryl Rictor (2005)		Redesign: Richard Cini (2015.5)	
SIZE	FSCM NO.	DWG NO.		REV	
A				27R1	
SCALE	5/1/2015	Joystick			

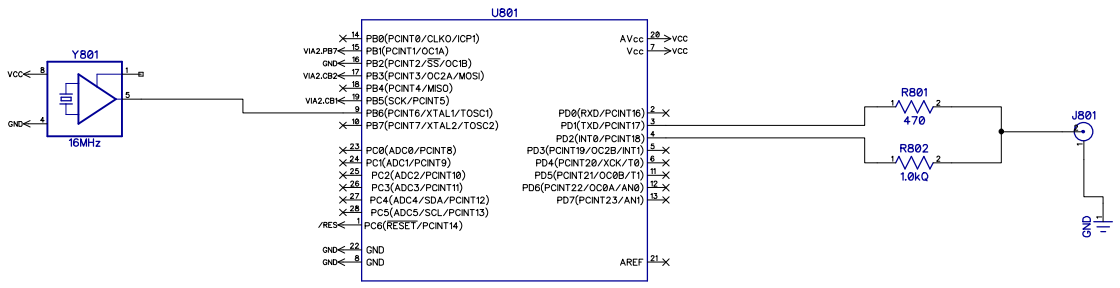
2

1

REVISIONS				
ZONE	REV	DESCRIPTION	DATE	APPROVED

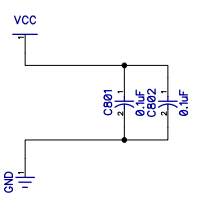
B

B



A

A



2

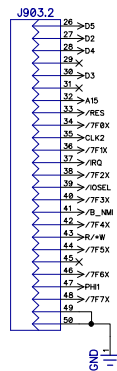
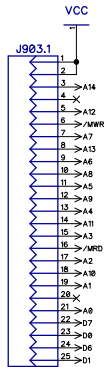
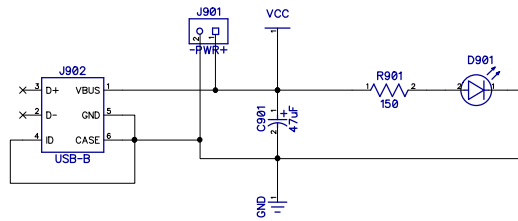
1

6502SBC			
Original: Daryl Rictor (2005)			
Redesign: Richard Cini (2015.5)			
SIZE	FSCM NO.	DWG NO.	REV
A			27R1
SCALE	5/1/2015	Video	

2

1

REVISIONS				
ZONE	REV	DESCRIPTION	DATE	APPROVED



B

B

A

A

2

1

6502SBC Original: Daryl Rictor (2005) Redesign: Richard Cini (2015.5)			
SIZE A	FSCM NO.	DWG NO.	REV 27R1
SCALE	5/1/2015	Power and Expansion	