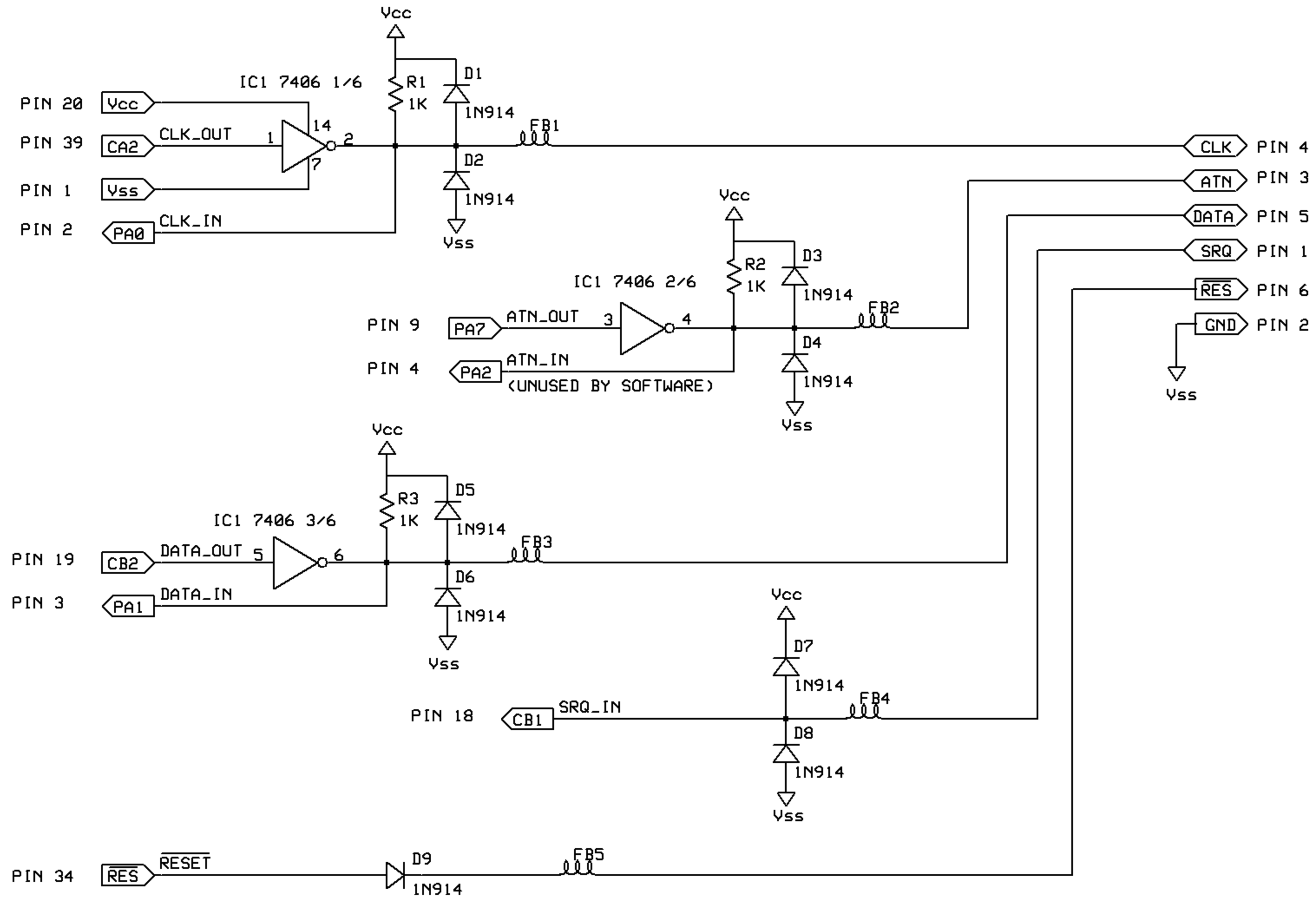


FROM 65[C]22 VIA



CBM IEC SERIAL PORT

NOTES: TIE ALL UNUSED IC1 (7406) INPUTS TO Vcc: PINS 9, 11, 13

IF IC1 7406 IS NOT IN CLOSE PROXIMITY TO 6522 VIA, INSTALL A DECOUPLING CAP (0.1uF) BETWEEN PIN 14 (Vcc) AND PIN 7 (Vss)

ALL RESISTORS 0.25W / 5%

Commodore IEC Interface

www.6502.org

Richard Cini
Mike Naberezny

Rev 1.0
8/15/2003

Page 1 of 1