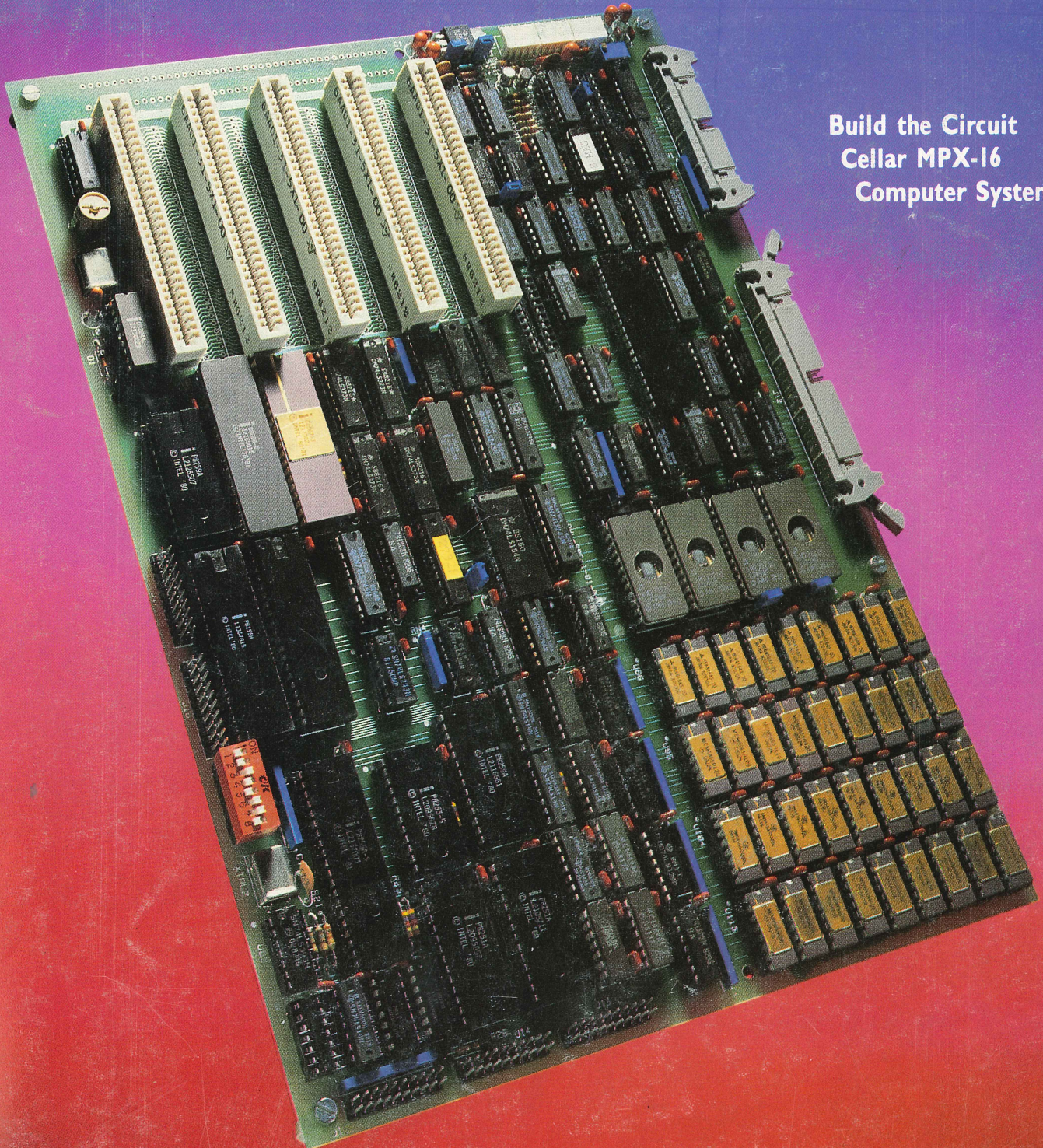


# BYTE<sup>®</sup>

NOVEMBER 1982 Vol. 7, No. 11  
\$2.95 in USA  
\$3.50 in Canada/£1.85 in U.K.  
A McGraw-Hill Publication

the small systems journal



**Build the Circuit**  
**Cellar MPX-16**  
**Computer System**

**GRAPHICS**

## Build the Circuit Cellar MPX-16 Computer System

### Part 1

*Any peripheral device designed to be installed in the IBM Personal Computer can be plugged into this 8088-based system.*

---

Steve Ciarcia  
POB 582  
Glastonbury, CT 06033

---

Let's see. What's next? A computer-controlled bird bath? An early-warning radar transponder? How about a satellite-tracking system? Something simple.

After this series of articles is over, I am going to write about uncomplicated construction projects for a while. You'd think that after doing 50 or so projects over the past four years I'd have learned to recognize when uncontrolled invention was getting the upper hand, as it did in this month's project.

I was caught up in the fervor that resulted from the introduction of the IBM Personal Computer. As I had already written two articles on the Intel 8088 microprocessor used in the

IBM machine, I quickly decided to jump on the bandwagon and purchase the first IBM PC (as it's called by its owners) that I could get my hands on. I've found myself in agreement with the prevailing opinion that the IBM PC is a solid design and well supported, but it's relatively expensive to upgrade.

---

### The design of the MPX-16 had to be a team effort.

---

Somewhere along the way I had the absurdly ambitious idea of presenting a Circuit Cellar construction project on building a full computer system based, like the IBM PC, on the Intel 8088 microprocessor. (After all, I've done many microprocessor projects before.) And somewhere further along the way I decided to do it.

### Design Concepts

Certain questions had to be addressed, of course. Should I try for a 10-chip design or splurge and make it 20 chips? What kind of expansion-bus scheme should the system use? What about supporting software? Could I design a small 8088-based computer and call it a development system?

The initial stages of design moved very quickly, and in a few weeks I had put together a prototype of a 64K-byte 8088-based trainer or development system. It was a compact design with limited input/output (I/O) capability but with relatively little expansion potential, lacking an expansion bus. It could have served well as a Circuit Cellar project. However, owning a so-called development system has come to mean that you are on your own: you won't get much support for either software or hardware. If the project was to have any real significance, support had to be available, and the burden of providing support would have been mine.

---

Copyright © 1982 by Steven A. Ciarcia.  
All rights reserved.

---

*IBM and IBM Personal Computer are trademarks of International Business Machines Corporation.*

---

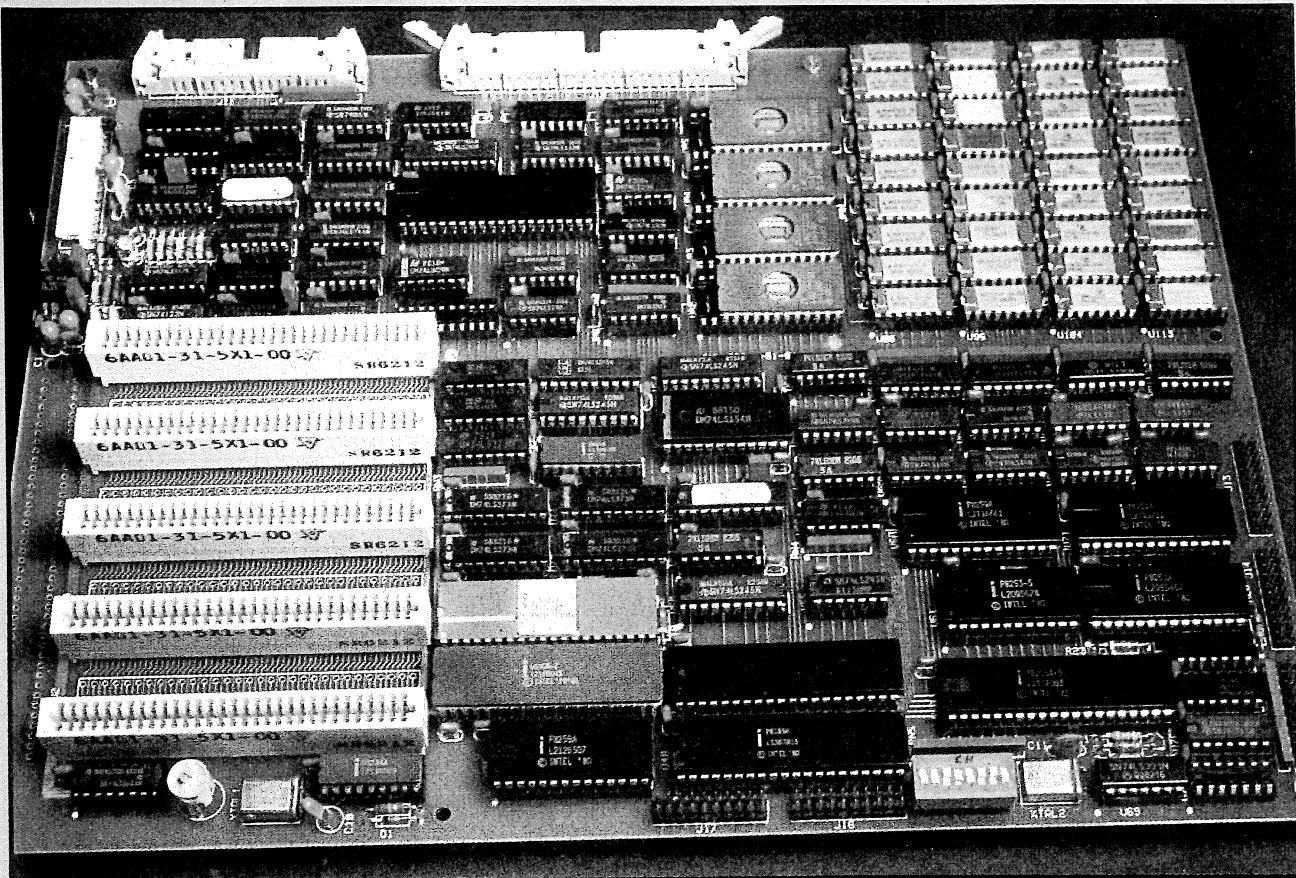


Photo 1: The Circuit Cellar MPX-16 single-board computer system, which uses the latest technology to provide lots of low-cost computing power. The five-layer printed-circuit board contains 120 integrated circuits including most common peripheral-device interfaces; furthermore, any peripheral-device card intended for use with the IBM Personal Computer can be plugged into one of the I/O-expansion slots. There are nine slot positions, but only five sockets are installed initially.

There was only one answer: compatibility. The project would have to be compatible with peripheral-device expansion boards and software designed for some popular computer system. The logical choice, given that I intended to use an 8088, was to make my project compatible with the I/O-expansion bus of the IBM Personal Computer. (The only real alternative was the S-100 bus, but somehow in my fervor the IBM PC route seemed more natural. S-100 fans should look up reference 1.) Consequently, IBM PC memory and I/O-expansion boards, available from numerous sources, could be used to expand this new computer.

But in making this choice, I opened

Pandora's box. I was already committed to producing the article, but making my little prototype bus-compatible with the IBM PC was like fitting the *Queen Mary* into a bathtub. Scratch one prototype; start thinking about the "system board."

Ten minutes later, I realized that this would have to be a team effort. I would need assistance in developing the design, the documentation, and the software, so I enlisted help from a few friends and other engineers to form the design team.

At that point, team (or rather, committee) dynamics came into play. If you give a committee 3 square inches of empty space on the printed-circuit board, they'll want to increase

performance by packing 10 more integrated circuits into it. Essentially that's what happened to my little trainer board. Not only would the resulting system be bus-compatible with the Personal Computer, but it would overcome some of the expansion weaknesses of the IBM machine by incorporating many peripheral devices as part of the basic design. Instead of a board that could be expanded into a system, this new computer would be a complete system that had been shrunk to fit on a single board.

#### Design Characteristics

The result of our effort is called the Circuit Cellar MPX-16 Computer

1. 5-MHz Intel 8088 main processor
2. optional Intel 8087 numeric coprocessor
3. 256K-byte on-board-user-memory capacity, with parity
4. two RS-232C serial input/output ports
5. three parallel input/output ports
6. on-board controller for either 5¼-inch or 8-inch single- or double-density floppy-disk drives (up to four)
7. supports the CP/M-86 operating system directly, with BIOS in EPROM
8. nine expansion slots (five connectors provided), bus-compatible with IBM Personal Computer
9. sockets for 64K bytes of 24- or 28-pin EPROM
10. four independent DMA channels
11. sixteen levels of vectored interrupts

Table 1: Features of the MPX-16 computer system.

System, shown in photo 1. Consisting of a single 9- by 12-inch five-layer printed-circuit board containing 120 integrated circuits (ICs), the MPX-16 is completely compatible with the ex-

pansion bus of the IBM Personal Computer and contains the following features: provision for an optional Intel 8087 math coprocessor, 256K bytes of RAM (random-access read/write memory), serial and parallel I/O ports, floppy-disk controller, expansion slots, and support for Digital Research's CP/M-86 operating system. (A more detailed list of features appears in table 1.)

The MPX-16 constitutes a complete, single-board computer system, using the latest technology to provide lots of low-cost computing power. It is designed to utilize all the expansion peripherals that are available for the IBM machine, and because it has so many capabilities built in, you don't have to use up expansion slots for simple jobs like interfacing a printer. Programmers, however, will undoubtedly want more memory. To meet this demand, additional memory boards can be plugged in to provide the system with one full megabyte of user memory. A hard-disk drive can be added easily, and an

8087 mathematics coprocessor can be inserted to multiply the system's raw computing power by a factor of 10 to 100.

The MPX-16 is designed initially to use CP/M-86, but it will ultimately accommodate Microsoft's MS-DOS and any other software that does not use unique features of the IBM Personal Computer. The greatest difference is this: as a stand-alone system, the MPX-16 communicates with the user through a serially interfaced display terminal instead of through a memory-mapped video display and separate keyboard. The BIOS (basic input/output system) module of CP/M-86 is contained in a set of EPROMs (erasable programmable read-only memories) on the board.

The MPX-16 is almost complete on a single board. In addition, you need merely a power supply, a serial terminal, and one floppy-disk drive. To start operation, you just turn on the power, insert a CP/M-86 disk, and start the bootstrap operation. For the sake of appearance, though, you may

## Marymae INDUSTRIES, INC.

In Texas Orders  
Questions & Answers  
1-713-392-0747

22511 Katy Freeway  
Katy (Houston) Texas 77450

To Order  
1-800-231-3680  
800-231-3681

### SAVE BIG DOLLARS ON ALL TRS-80® HARDWARE & SOFTWARE

TRS-80® BY RADIO SHACK. Brand new in cartons delivered. Save state sales tax. Texas residents add only 5% sales tax. Open Mon.-Fri. 9-6, Sat. 9-5. We pay freight and insurance. Come by and see us. Call us for a reference in or near your city. Ref: Farmers State Bank, Brookshire, Texas.

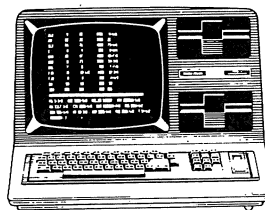
#### WE OFFER ON REQUEST

Federal Express (Overnight Delivery)

Houston Intercontinental  
Airport Delivery (Same Day)

U.P.S. BLUE (Every Day)

References from people who have  
bought computers from us probably  
in your city



In stock TRS-80 Model  
II and III

No Tax on Out of Texas Shipments!

#### WE ALWAYS OFFER

NO extra charge for Master Card  
or Visa.

We use Direct Freight Lines. No  
long waits.

We always pay the freight and  
insurance

Toll free order number

Our capability to go to the giant  
TRS-80® Computer warehouse 5  
hours away, in Ft. Worth, Texas,  
to keep you in stock.

Save  
10% 15%

OR MORE

Reserve Your Model 16 Today  
Telex 77-4132 (Fleks Hou)

® TRS-80 is a Registered Trademark of Tandy Corp

ED McMANUS



JOE McMANUS



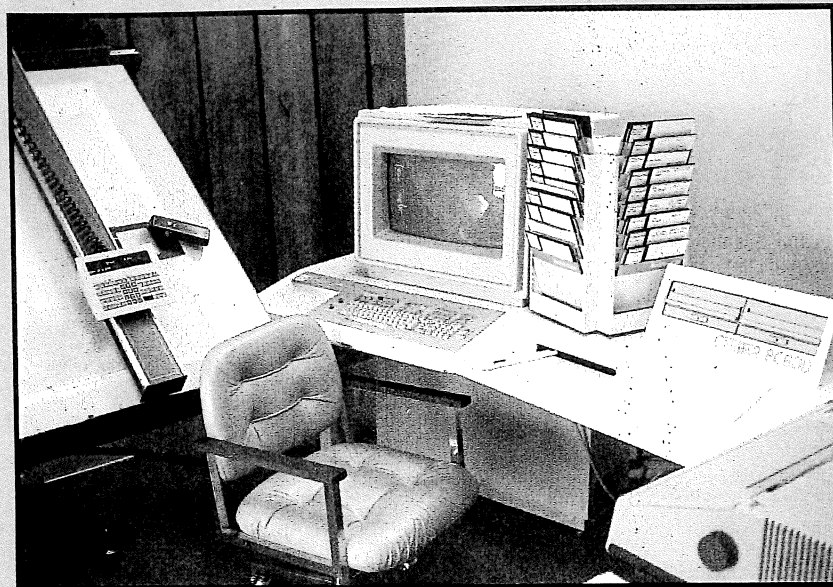


Photo 2: The Gerber Scientific Instrument Company PC-800 CAD (computer-aided design) machine used to lay out the MPX-16's five-layer printed-circuit board.

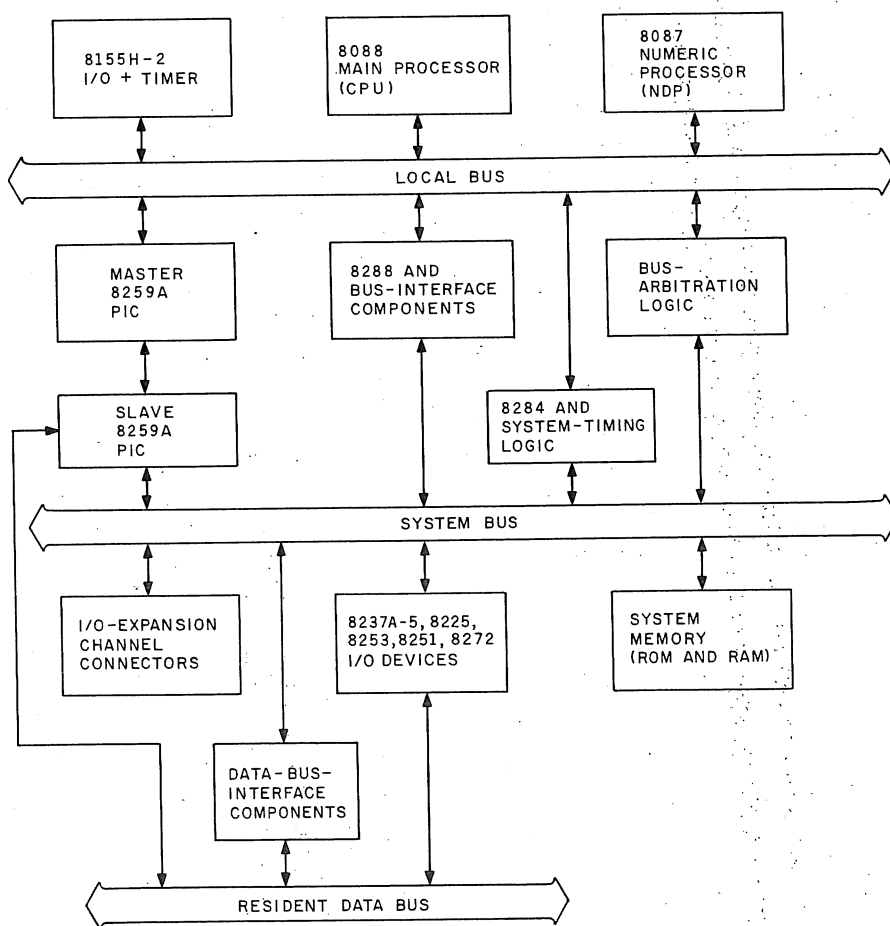


Figure 1: Simplified, high-level block diagram of the Circuit Cellar MPX-16 computer system. The abbreviation "PIC" stands for "programmable interrupt controller."

want to wrap up the whole thing in a suitable enclosure; one should be available by the time you read this.

### Pragmatic Considerations

Obviously, it is impossible to describe the construction of such a powerful computer in detail in a single article. Even dividing it into three parts, as I plan, will be a difficult task; it will take us three months to print schematic diagrams of the entire computer in the magazine. I'll try to be as explicit as I can concerning how the circuitry works, but you must understand from the outset that this is no beginner's project.

The condensation of information here is counterbalanced by the support available from The Micromint, where you can get assembled and tested systems, blank printed-circuit boards, and complete documentation containing all the circuit diagrams plus much more detail than can be included in these brief articles.

Finally, before I start the details, I'd like to say something about the MPX-16's circuit board. Printed-circuit boards are available for building most recent Circuit Cellar projects, and this project is no exception. The only departure from the norm this time is in the complexity of the board.

The MPX-16 contains 120 IC packages. To keep its size manageable, we had to use a multilayer printed-circuit board instead of the relatively simple double-sided boards used in smaller-scale projects. With the aid of a Gerber Scientific Instrument Company PC-800 CAD (computer-aided design) machine, shown in photo 2, we eventually arrived at a 9- by 12-inch board with five layers of connecting traces. This is significant because multilayer boards cost about 10 times as much as standard double-sided boards. But even with an expensive circuit board, I believe that the MPX-16 has unbeatable performance for its cost.

### MPX-16 Overview

The functional organization of the MPX-16's onboard components is illustrated in two levels of detail. Figure 1 shows a simplified, high-

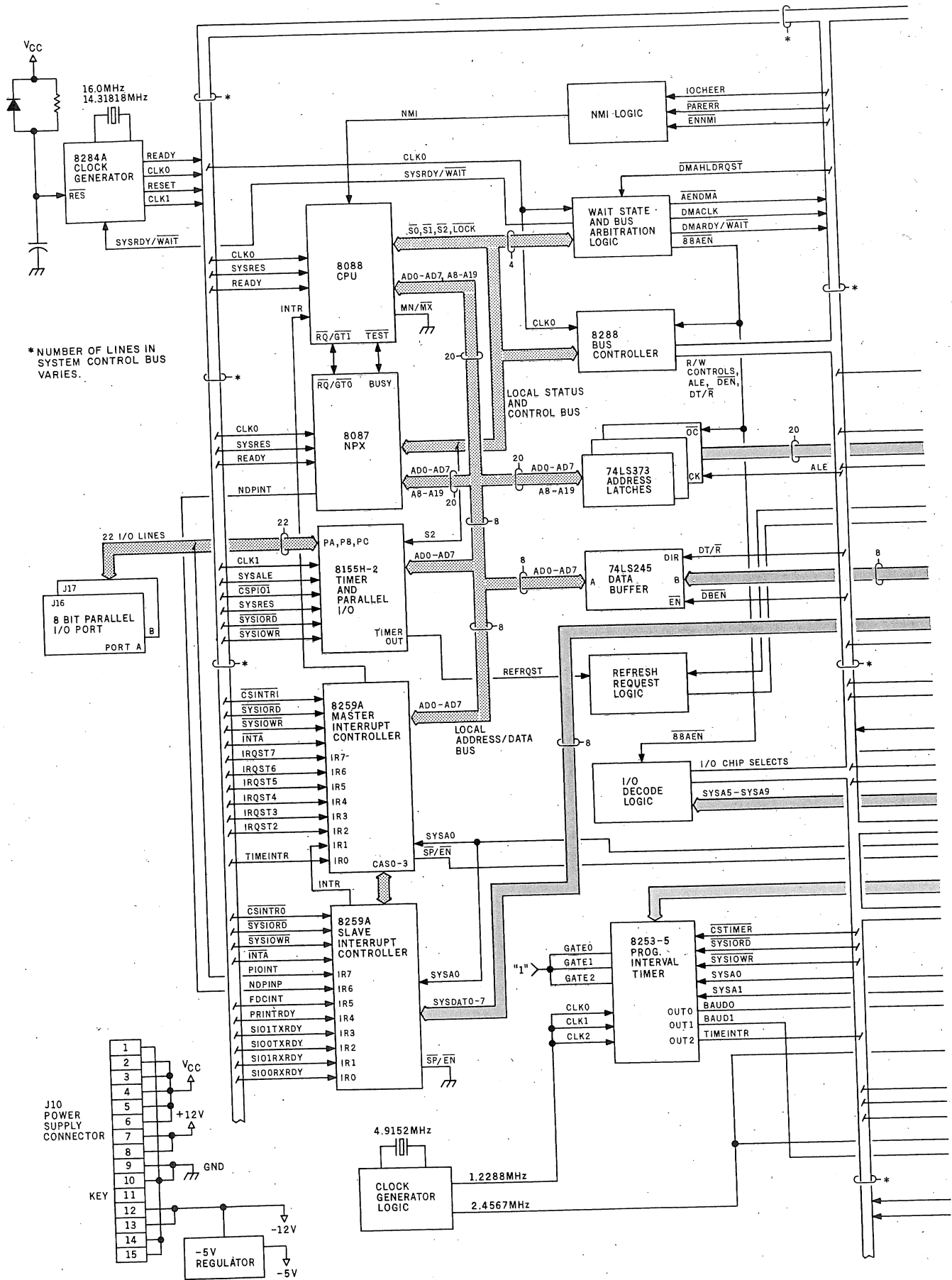
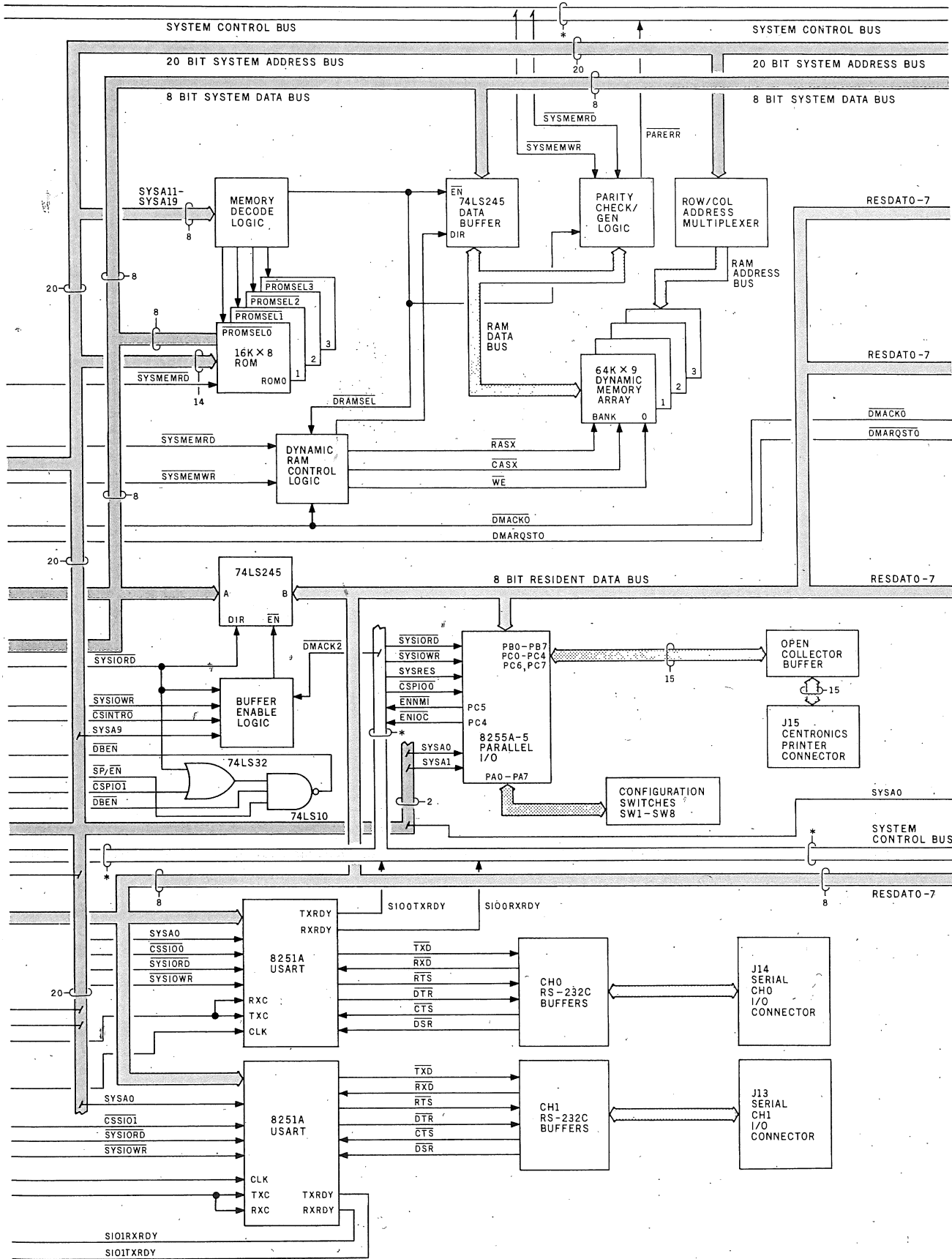


Figure 2: Complete, detailed flow diagram of the MPX-16 system. (The diagram is continued on page 86.)



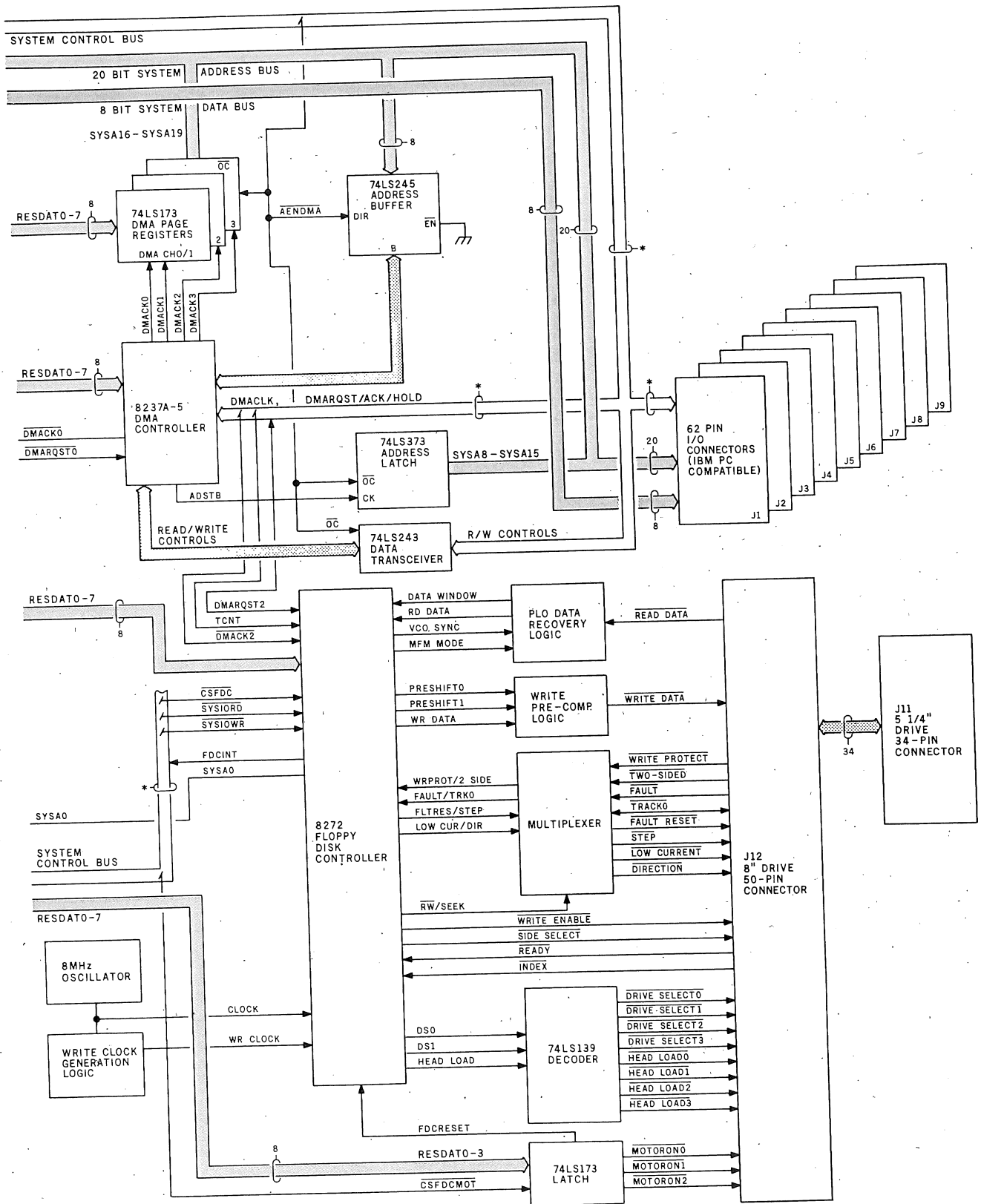
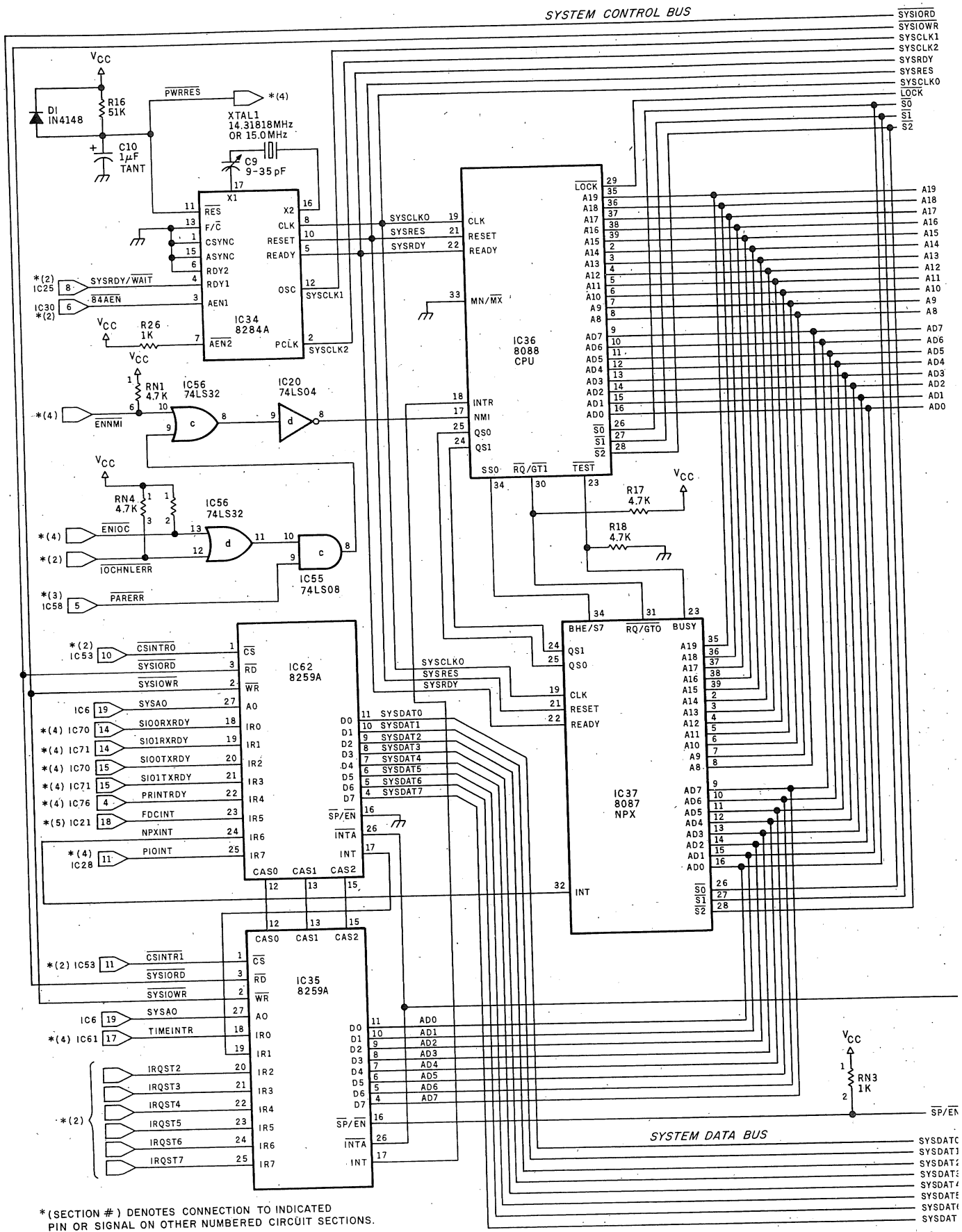
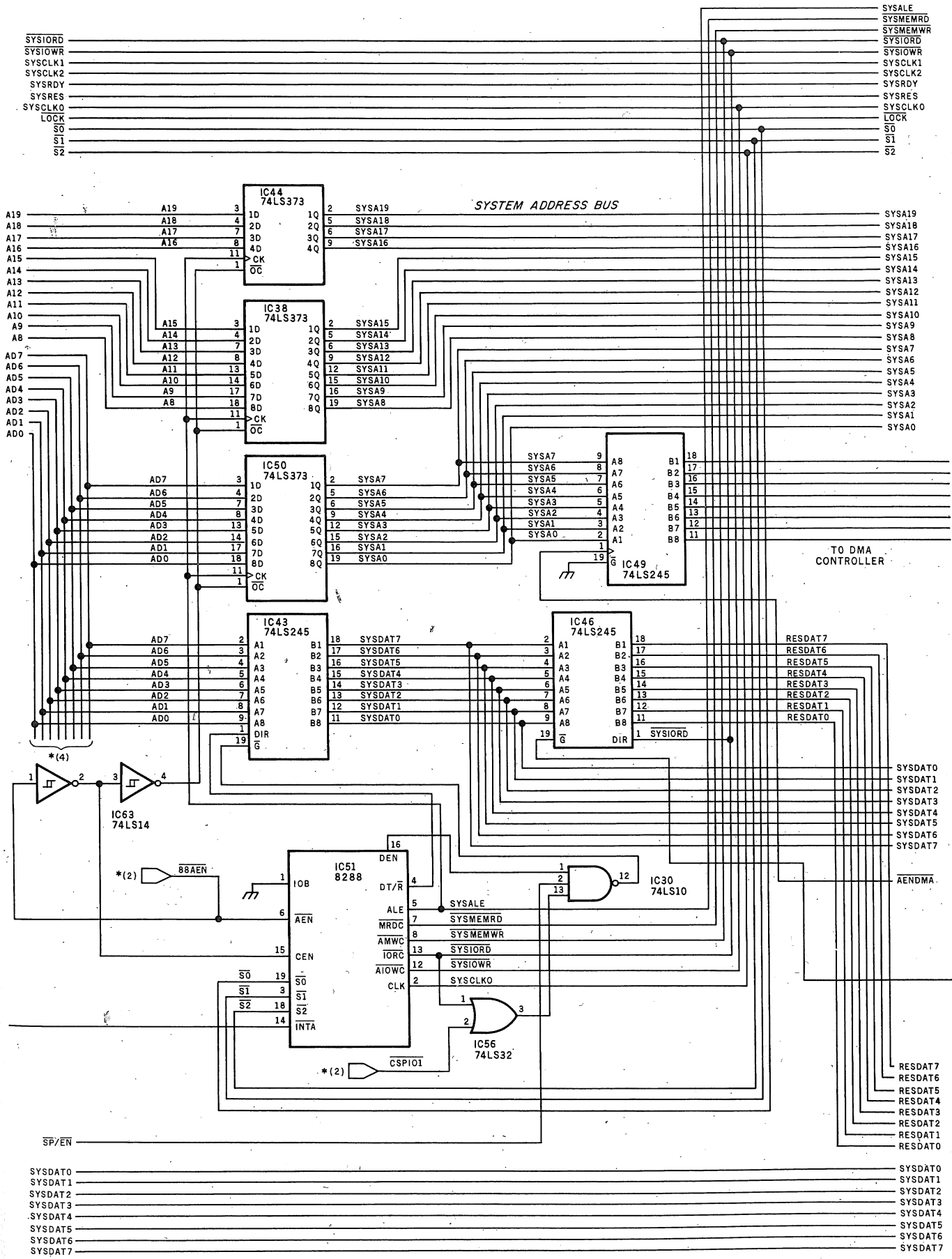


Figure 2: Continued from page 85.





**Figure 3a:** Half of section 1 of the schematic diagram of the MPX-16; the second half of section 1 appears as figure 3b on the next two pages. Sections 2 through 5 of the schematic will appear in December's and January's articles. Many connections to other sections the schematic are indicated in this figure by the notation \*(n), where n is the section number; IC numbers in the other sections



given where appropriate. Here are shown the main processor, numeric coprocessor, interrupt controllers, clock generator, bus controller, bus latches, bus transceivers, and miscellaneous components. A table of power connections will be published in the December 1982 BYTE.

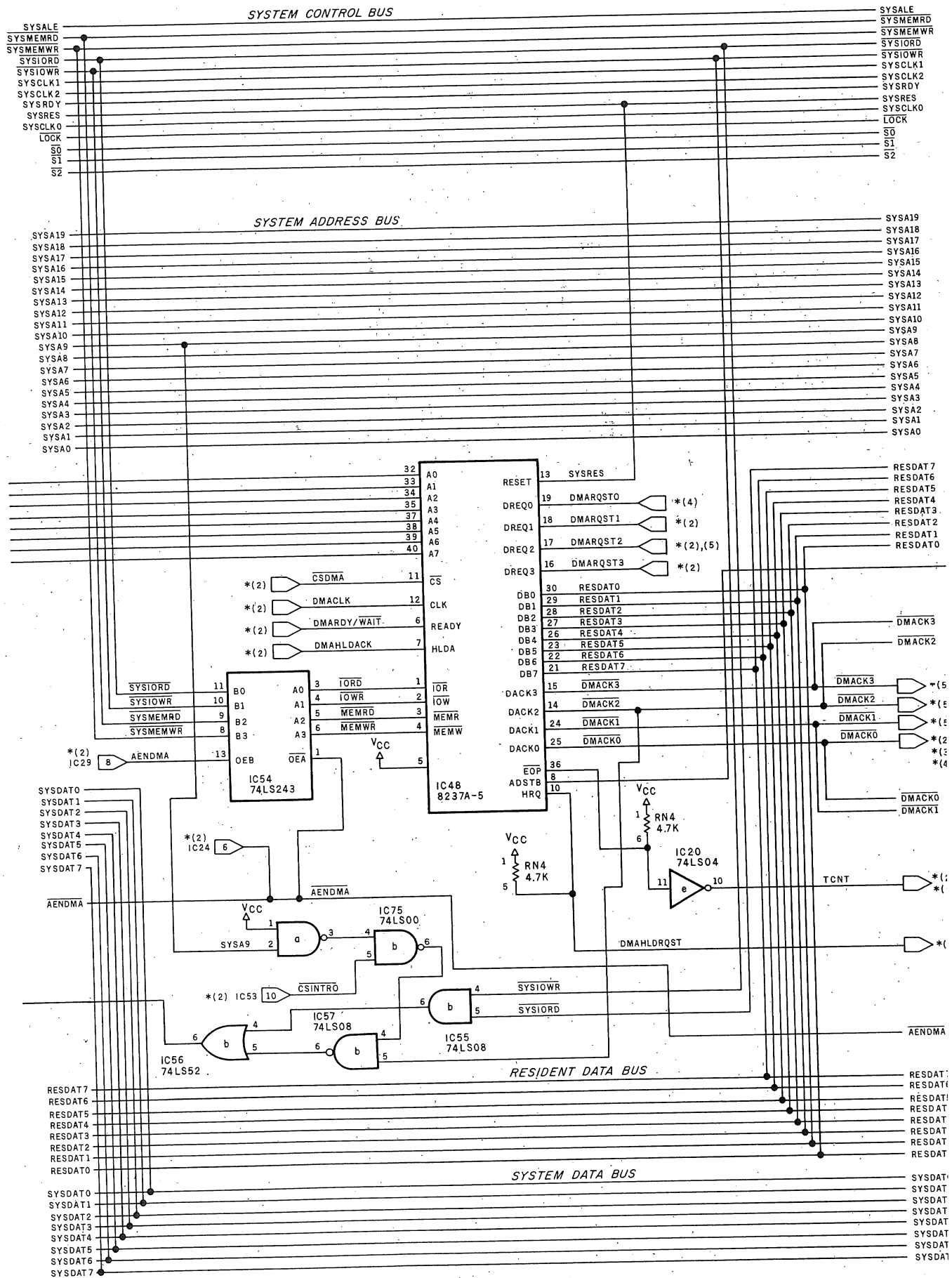
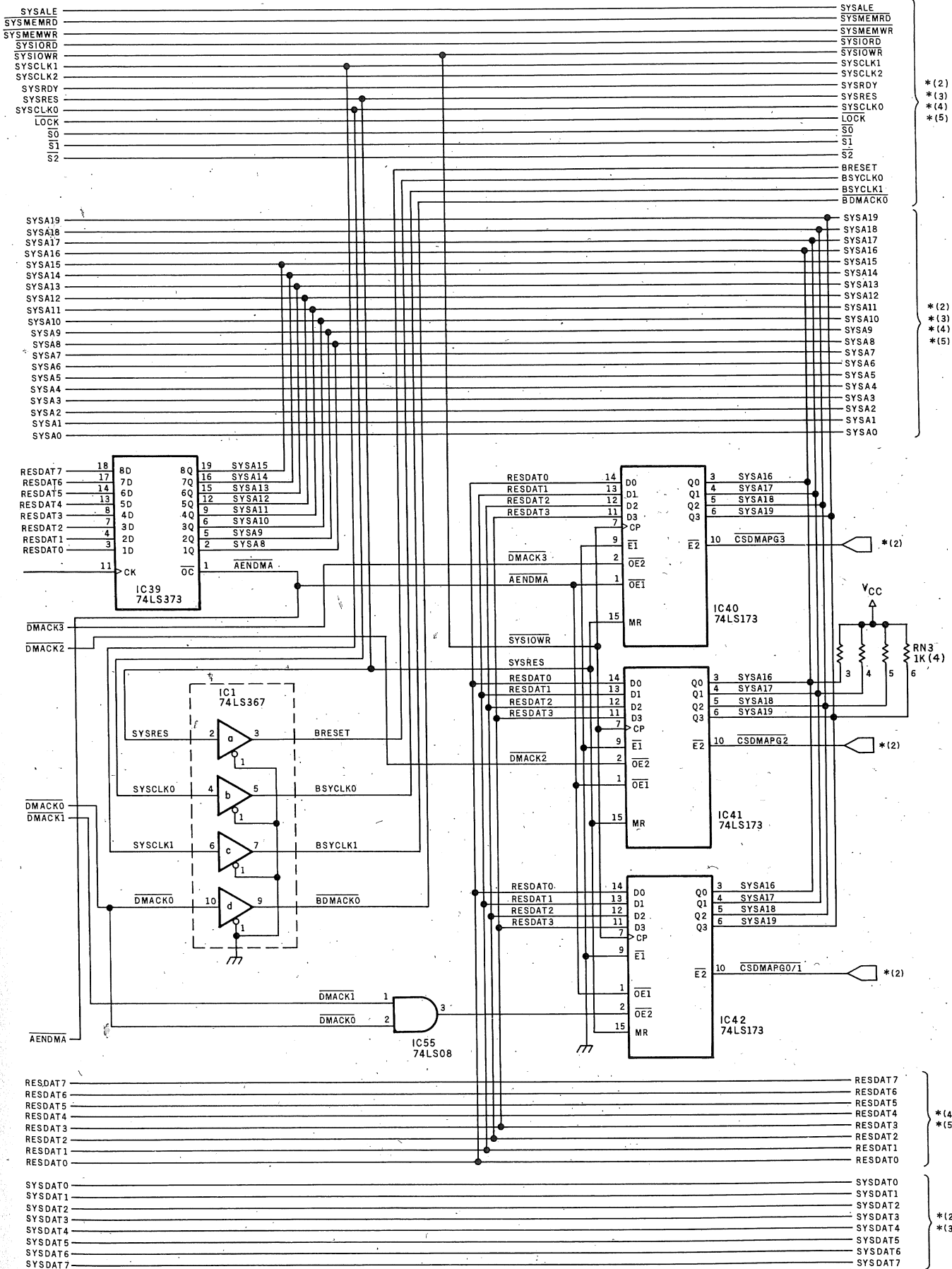
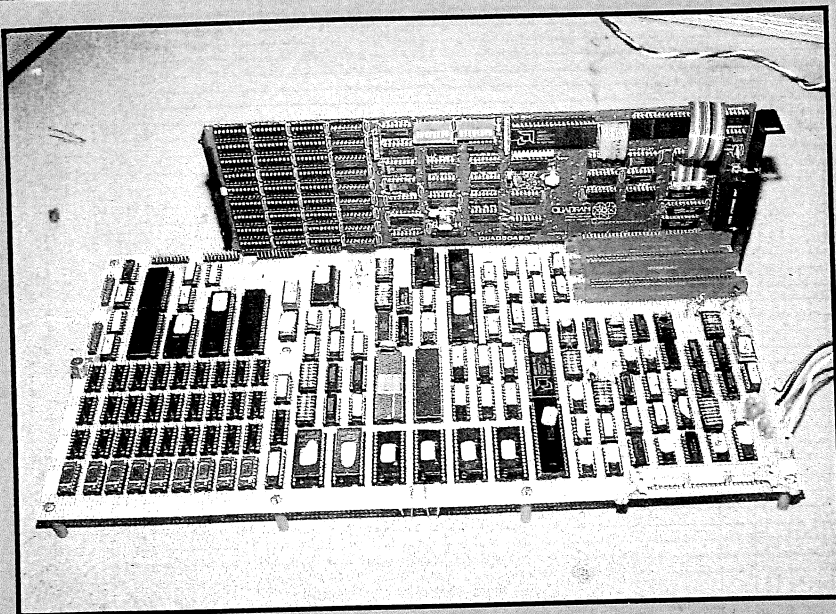


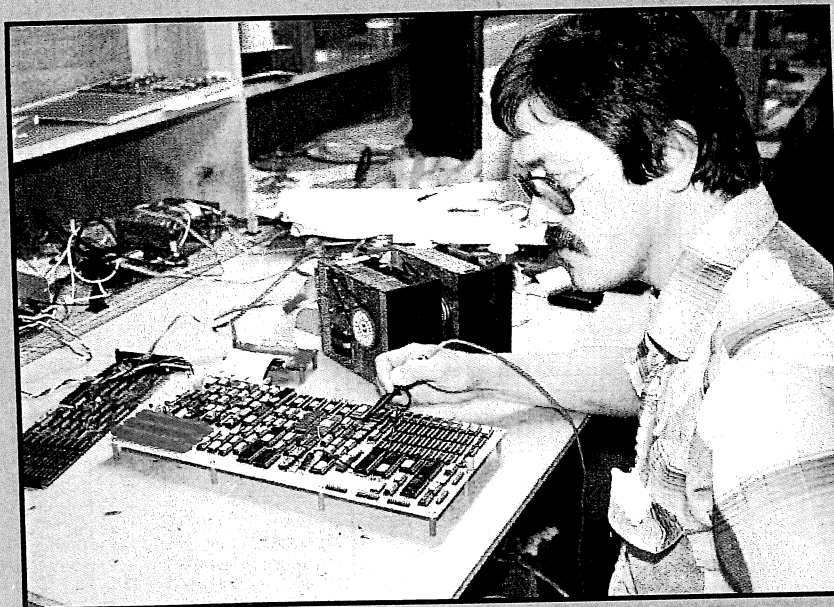
Figure 3b: Second half of section 1 of the schematic diagram of the MPX-16. Here are shown the direct-memory-access control-signal latches, registers, and transceivers; and various logic gates. Note the large number of bus lines for addresses, data, control signals. Sections 2 through 5 of the schematic will appear in December's and January's articles. Many connections to



sections of the schematic are indicated in this figure by the notation \*(n), where n is the section number; IC numbers in the other sections are given where appropriate.



**Photo 3:** Prototype of the MPX-16 being tested for compatibility with the I/O-expansion bus of the IBM Personal Computer. A Quadram Quadboard (an expansion card for the IBM PC that contains 256K bytes of memory, a serial port, a parallel port, and a real-time clock) is inserted in one of the MPX-16's slots. It works!



**Photo 4:** Engineer Jim Norris of Owl Electronic Laboratories tests the MPX-16 prototype.

level block diagram, while figure 2 on pages 84, 85, and 86 contains a full flow diagram for all parts of the system.

We'll look at each constituent subsystem separately, beginning with the processor and coprocessor; arrangement of data, address, and control signal buses; clock signals; the NMI (nonmaskable interrupt); and the DMA (direct memory access) subsystem. Section 1 of the schematic diagram, which appears as figures 3a and 3b on pages 88, 89, 90, and 91, contains most of these subsystems, although I do mention some things that will show up in schematic-diagram sections to be published in parts 2 and 3 of this series.

### Intel 8088 Processor

The new 16-bit microprocessors are more powerful than their 8-bit predecessors. Not only do they operate at faster speed, but the 16-bit chips manipulate numerical quantities in larger chunks, directly address more memory, and offer the programmer expanded instruction sets. But along with the greater capability comes a new set of computer-design considerations.

An alternative to complete commitment to 16 bits is embodied in the heart of the MPX-16: the powerful Intel 8088 microprocessor. The 8088 uses a 16-bit internal architecture and instruction set and possesses a 1-megabyte memory-addressing capability and a 64K-byte I/O-addressing capability, but communicates through an 8-bit external data bus (sort of like putting its data flow through a funnel). The 8088 has a common internal architecture and complete software compatibility with the pure-16-bit Intel 8086 microprocessor. As a result, the 8088 provides an excellent way for designers, engineers, hobbyists, and students to ease into the world of 16-bit computing by taking advantage of its 8-bit-compatible bus structure.

The 8088 can be used in low-cost systems that employ a few multiplexed-bus support chips such as the Intel 8155 (2K-bit static RAM with I/O ports and timer), 8755A (16K-bit EPROM with I/O ports), and 8185

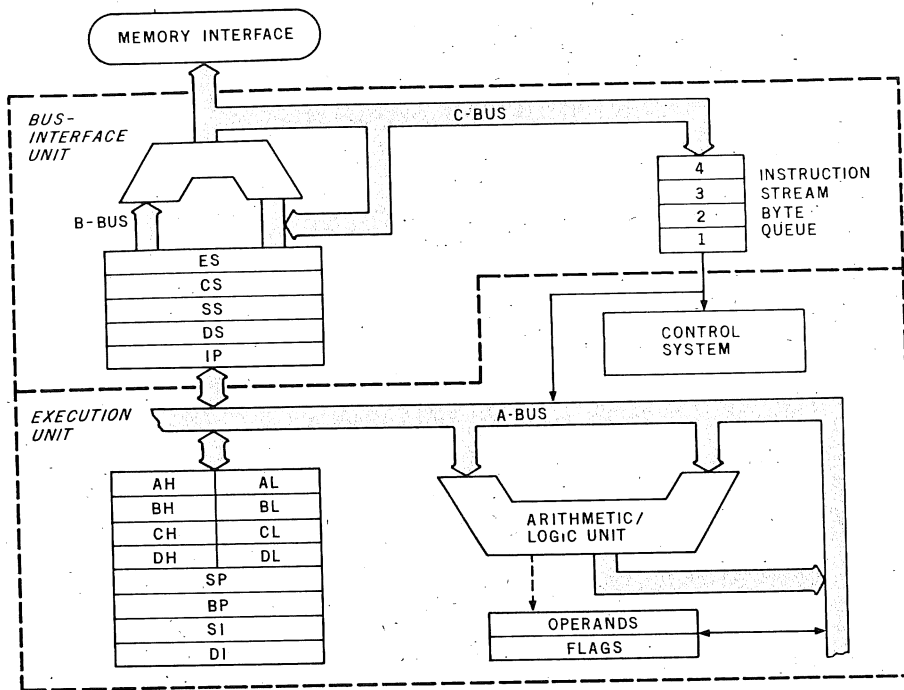


Figure 4: Functional block diagram of the Intel 8088 microprocessor. Its pipelined architecture, shared with the 8086, increases speed by overlapping the execution of instructions with memory-access operations.

(1K-byte static RAM). That was the approach I took in my previous article series (see reference 2, listed on page 114). But the power of the 8088 can best be exploited when it serves as the nucleus of a fully expanded system, using its full address space and coprocessing capabilities.

The 8088 microprocessor can be set up to interact with other components in the system in either the maximum or minimum mode. Certain control and status signals differ between the two modes. The selection is made by connecting the MN/MX pin on the 8088's package to ground or to +5 V (volts). In the minimum mode, the 8088 functions as a stand-alone processor, interacting with peripheral devices somewhat like the 8-bit 8085 processor. In the maximum mode, other integrated circuits perform certain specialized functions such as bus control, numeric data processing, and input/output control. In the MPX-16, the 8088 is configured for maximum-mode operation.

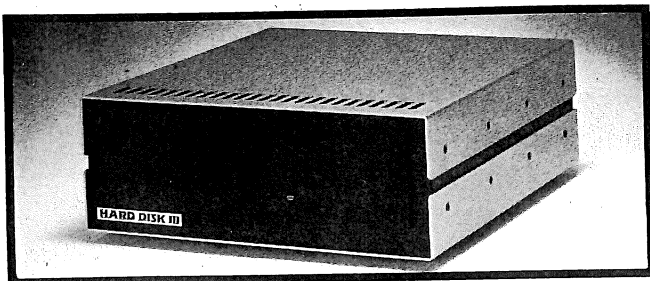
## WHAT'S ECC?

ECC (Error Correction Code) is a polynomial derivative which is used to detect and correct errors. In simpler terms, this means that the computer will detect and automatically correct data errors sometimes generated spuriously in the equipment.

VR Data's HARD DISK III has this feature. If your system will abend or die during a data error or if you must always have the correct data for your functions, ECC is a

necessity. This feature has filtered down from the larger computer systems and is now used by manufacturers of superior micro computer products.

**Imagine a 5 meg Winchester Hard Disk with the following features:**



**ALL FOR \$1899. Complete**

- ECC—onboard buffer
- FCC approval—Heavy Duty Power Supply
- Automatic power on with system
- Heavy duty linear power supply
- Gold plated contact on all connectors
- Heavy gauge aluminum chassis
- 115/230 VAC 60/50 HZ Standard
- State-of-the-art controller
- 2 pass forced air cooling system

**ONLY FROM VRdata**

**777 Henderson Boulevard N-6 Folcroft, PA 19032  
(215) 461-5300 (800) 345-8102**

Interfaces to: Radio Shack TRS 80 Model I • Radio Shack TRS 80 Model III • IBM Personal Computer • Others to be announced

# Expand your IBM PC

**Special Factory Rebate Worth \$100.00!**

Order a 5 1/4" Winchester hard disk from (PC)<sup>2</sup> and return your 5 1/4" floppy Tandon, TM100-2 to us and we will send you a check for \$100.00. This offer expires soon - so ACT NOW!

## Add-In Winchester Disk System

**\$1895<sup>00</sup>**  
For  
6M Bytes

(PC)<sup>2</sup>'s Add-In Winchester Disk System is housed within the IBM chassis and is easy to install directly into the floppy slot, reducing desktop space. Also available in 12 and 18 M Bytes capacity. When you order our PCM-100-2 our DS-DISK software is offered at no extra charge.

## Memory Expansion Board

**\$249<sup>00</sup>**

(PC)<sup>2</sup>'s Expansion Board offers 4 TIMES the amount of memory offered by IBM. P.C. Configurations can be set at 64K, 128K, 192K and 256K Bytes. Board can be easily upgraded in 64K capacities. Upgradability is the key!

## Asynchronous Communications Controller

As  
little as  
**\$85<sup>00</sup>**

1 or 2 line capability on one card.  
Totally compatible with IBM software and diagnostics.

## Combination Memory/Asynchronous Controller Board

**\$319<sup>00</sup>**

(PC)<sup>2</sup> high capacity memories are combined on one board with single or double ported asynchronous communications controllers to create the (PC)<sup>2</sup> Combination Memory Expansion/Asynchronous Controller Board. (PC)<sup>2</sup> Combo Boards are fully upgradeable in 64K increments up to the 256K byte board capacity and are configured with support for one or two RS-232C Ports.

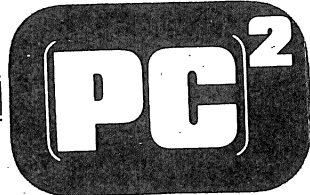
Larger quantity pricing is available. For further details call (PC)<sup>2</sup> Today.

Phone or Write Now! **(408) 749-9313**

(PC)<sup>2</sup>, 510 Lawrence Expressway No. 678 Sunnyvale, CA 94086

Postage and Handling included within continental U.S.A.  
One year warranty on all board products.  
MasterCard, Visa, Checks and C.O.D. accepted.

**PLUG COMPATIBLES FOR PERSONAL COMPUTERS**



## Architecture of the 8088

The internal architectures of the 8088 and 8086 processors are identical. A diagram of their internal structure is shown in figure 4. The 8088 contains two logical functional divisions—the bus-interface unit (BIU) and the execution unit (EU)—with a logical pipeline between them that provides an instruction queue.

The 8088 uses *instruction queuing* to increase computing speed. A 4-byte instruction queue holds contents of the four bytes in memory that consecutively follow the instruction being performed by the execution unit. These four bytes of instructions or data are brought into the processor before they are to be executed; therefore, when the EU is ready to execute the next instruction, frequently it or the data required is contained already in the queue. Only when the EU needs to access nonconsecutive addresses (or during a few combinations of especially fast-executing instructions) will time be consumed for memory fetches. By not tying up the memory bus as often as its nonqueuing 8-bit predecessors, the 8088 makes the bus available for use by other powerful support devices. The overall result is increased efficiency and faster processing.

The *execution unit* is where the actual processing of data takes place inside the 8088. It is here that the familiar arithmetic and logic unit (ALU) is located, along with the registers used to manipulate data, store intermediate results, and keep track of the pushdown stack. The EU accepts instructions that have been fetched by the BIU, then processes the instructions. It next returns operand addresses to the BIU, processes the operands, and then passes them back to the BIU for storage in memory.

The role of the *bus-interface unit* is to maximize bus-bandwidth utilization (that is, to speed things up by making sure that the bus is used to its full capacity). The BIU carries out this assignment in two basic ways: first, by fetching instructions before they are needed by the EU and storing them in the instruction queue, and second, by taking care of all operand fetch and store operations, address

8088 REGISTER MODEL: (8080 REGISTERS SHADED)

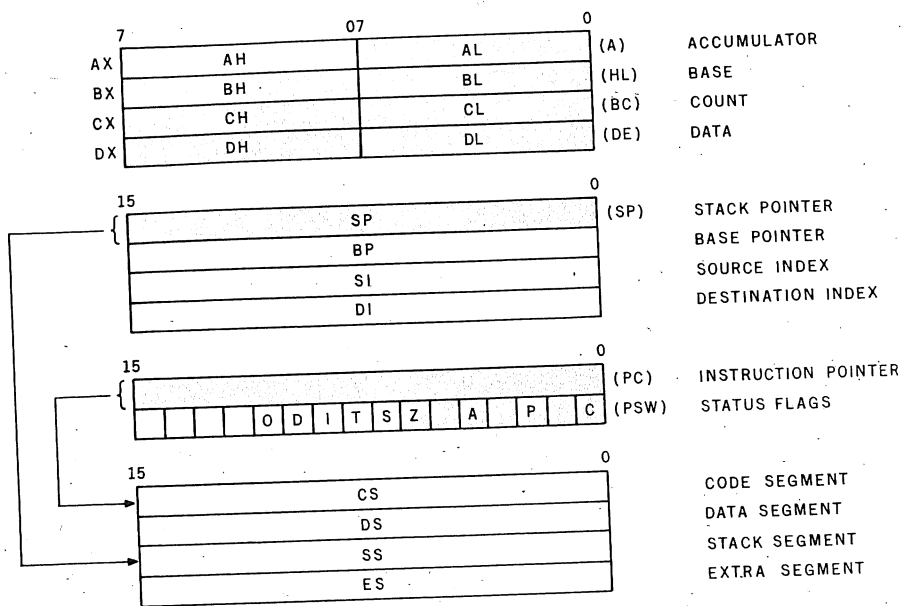


Figure 5: Programmer's model of the 8088's fourteen 16-bit registers. The shaded registers are the 8080-register subset, that is, the registers that are common to the 16-bit 8088 and its 8-bit predecessors.

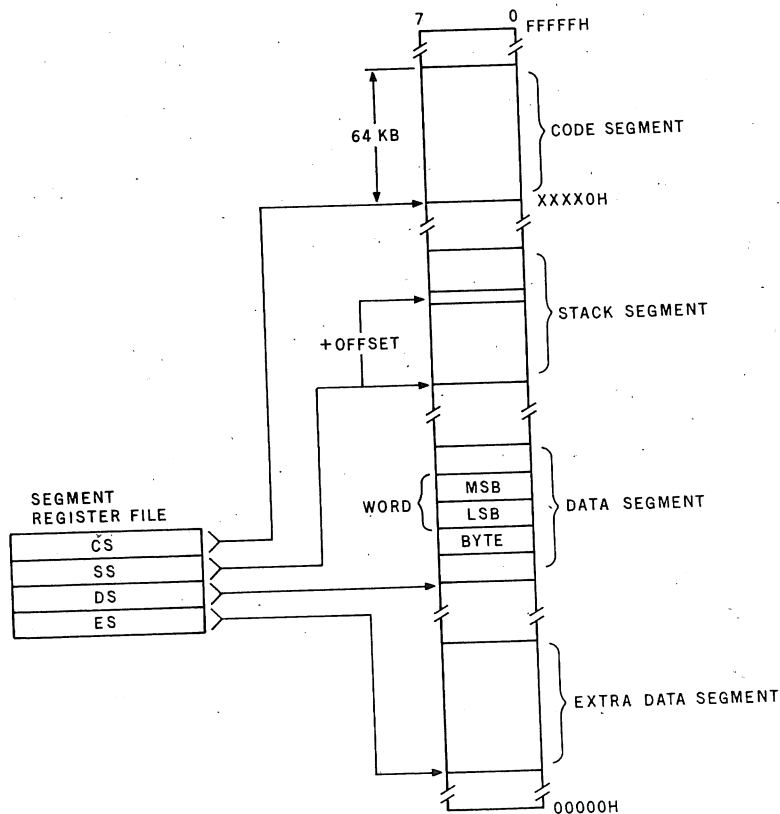


Figure 6: Memory organization in the 8088. Memory segmentation is used to address up to 1 megabyte (1,048,576 bytes) in segments of 64K bytes. The 8088 creates a 20-bit address by combining a 16-bit offset value with a segment-boundary value stored in one of the segment registers.

relocation, and bus control. (These actions of the BIU leave the EU free to concentrate on processing data and carrying out instructions.)

Figure 5 shows the programmer's model of the 8088's fourteen 16-bit registers. The shaded registers are the 8080-register subset, that is, the registers that are common to the 8088 and its 8-bit predecessors.

The general registers, also called the HL group because they can be subdivided into high and low bytes, include the accumulator (AX), base register (BX), count register (CX), and data register (DX). The two bytes in any of the general-purpose registers can be operated on separately; for instance, the AX register can be addressed as a 16-bit register, AX, or the high-order byte can be addressed as the register AH and the low-order byte as AL. The same holds true for BX, CX, and DX.

Another group of registers is the pointer and index (or P and I) group. This set contains the stack-pointer (SP), base-pointer (BP, an extra pointer into the stack), source-index (SI), and destination-index (DI) registers. Generally speaking, these registers hold offset addresses used for addressing within a segment of memory. They can also participate, along with the general-register group, in the arithmetic and logical operations of the 8088.

The 8088 uses *memory segmentation* to address this large memory space efficiently; it deals with memory as a set of four 64K-byte segments simultaneously defined (possibly overlapping) within the memory-address space, which is organized as a linear array of 1,048,576 bytes, addressed as hexadecimal 00000 through hexadecimal FFFFH. The 8088 creates a 20-bit address by combining a 16-bit offset value with a segment-boundary value stored in one of the segment registers. Figure 6 shows how this works.

Each of the 16-bit segment registers, the code-segment (CS) register, the stack-segment (SS) register, the data-segment (DS) register, and the extra-data-segment (ES) register, contains a value that can be combined with the 16-bit offset address speci-



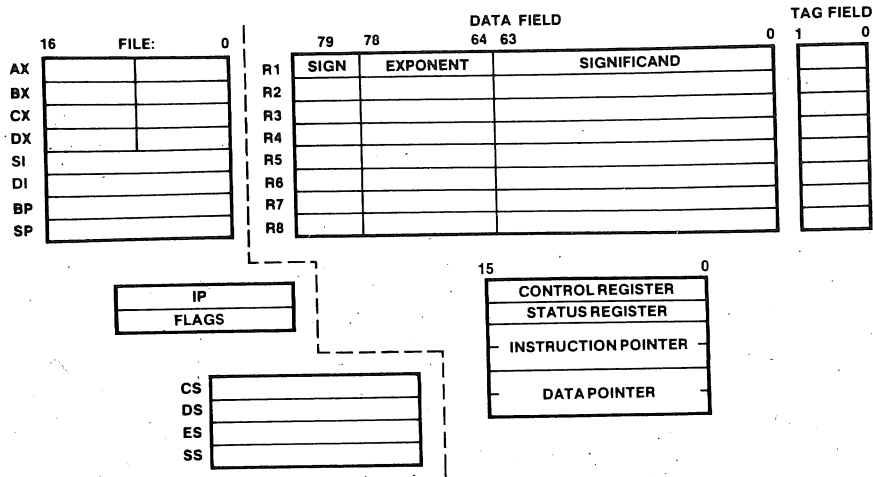


Figure 7: Programmer's model of the 8088/8087 coprocessor combination. The 8087 adds eight 80-bit registers to the architecture and 68 operations to the instruction set. The 8088/8087 combination can operate on BCD (binary-coded decimal) numbers up to 18 digits long without round-off errors and perform arithmetic on 64-bit integers. (Figure provided courtesy of Intel Corporation.)

fied by the instruction operand to form the 20-bit address. For instance, the 16-bit value in the code-segment register first has four low-order zero bits appended; it is then added to the

low-order 16 bits of the offset address. When the 8088 fetches an instruction or data byte from memory, it comes from the location at the absolute address thereby formed.

The memory is thus divided into four segments: the code segment, where instructions are stored; the stack segment, where the pushdown stack is located; the data segment, where data to be operated on is found; and the extra segment, a 64K-byte data area assignable for any data-storage use. Which code-segment register is used to form the address varies according to what processor instruction is being executed.

The 8088 has both relative and absolute control-branching instructions. When all branch instructions within a given segment of memory are specified in relation to the instruction pointer and the program segment does not modify the value of the code-segment register, that program segment can be relocated dynamically anywhere within the entire address space simply by moving the code, updating the value of the code-segment register, and resuming execution.

### The 8087 Numeric Processor

The Intel 8087 numeric processor extension (NPX) is an integrated circuit designed for use with the 8086 or 8088 (serving as the central-processing unit, or CPU) to form a high-performance numeric-data-processing system (called the iAPX 86/20 NDP or iAPX 88/20 NDP in Intel jargon). Its use is optional in the MPX-16.

The 8087 is designed to coordinate its functions with other processors in a coprocessing or multiprocessing environment. As a coprocessor, the 8087 adds 68 machine instructions to the system; these operate on its eight 80-bit floating-point registers, which function alongside the 8088's register set. The 8087 is designed to handle very large numbers; its internal temporary-storage format for floating-point quantities is 80 bits: 1 bit for sign, 15 bits for exponent, and 64 bits of mantissa. A programmer's model of the resulting architecture is shown in figure 7.

Capable of executing arithmetic, trigonometric, exponential, and logarithmic instructions, the 8087 conforms to the proposed IEEE (Institute of Electrical and Electronics Engineers) floating-point standard

# BYTEWRITER®

## DAISY WHEEL PRINTER



**\$795**  
plus shipping

**FEATURES**

- Typewriter operation with nothing to disconnect
- 10, 12 or 15 characters per inch switch selectable
- Portable with carrying case
- Entire interface mounted internally in the Olivetti Praxis 30 typewriter
- Underlining
- Cables available for most computers
- Service from Olivetti dealers
- Centronics compatible parallel input
- Built in self test
- Cartridge ribbon
- 2nd keyboard switch selectable.

**BYTEWRITER**

125 NORTHVIEW RD., ITHACA, N.Y. 14850  
(607) 272-1132

and provides 100 times the performance of the 8088 working alone. It's a real number cruncher.

The 8087 uses its own instruction queue to monitor the 8088's instruction stream, operating only on those instructions intended for it. When a numeric instruction appears in the code, it is treated as an "escape" from the normal sequence by both the 8088 CPU and 8087 NPX; the NPX processes it while the CPU finishes its current task. Concluding that, the

CPU either does nothing (if the NPX requires no further data) or it calculates an address and reads a byte of memory which is used by the NPX (the CPU ignores this value in its own computations).

The 8087 is only an extension processor and cannot run by itself. It needs a separate CPU to operate the data, address, and control buses; which provide it with instructions and operands. Once the NPX has started its operation, the CPU may

continue executing the main program while the NPX "crunches." This parallel operation of the NPX and CPU can continue until the NPX needs to reference memory. Only then will the processor give the NPX access to the bus (the main processor may, however, continue to process instructions from its instruction queue). A special request/grant line,  $\overline{RQ/GT0}$ , is used to pass control of the buses shared between the NPX and the CPU. The relationship between the CPU and the NPX is similar to the master/slave scheme used in less complicated computers, while the protocol is somewhat like hold and hold-acknowledge signals, although more complicated. (Additional processors or coprocessing devices can be attached to the NPX/CPU combination through another signal line,  $\overline{RQ/GT1}$ , although no provision for this has been made in the MPX-16.)

The amount of time that the processor actually waits to get back on the bus is very small. If it were not for a few stolen memory cycles, the coprocessor's operation would be essentially invisible to the host processor; it's a small price to pay for the great increase in performance for numeric computation. As a comparison, even though it's quite a powerful microprocessor, the pure-16-bit 8086 takes about 20 milliseconds to compute a square root, using a floating-point subroutine. Eliminating the subroutine and using the 8087 instead, the result can be calculated in less than 40 *micro*seconds (the speed-up is similar for the 8088). Such speed is an undeniable asset to high-level languages such as BASIC and Pascal. They not only run faster, but the memory space devoted to floating-point subroutines is saved.

### MPX-16 Bus Structures

The MPX-16 system supports two major signal-bus structures, the processors' local bus and the global system bus, as you can see clearly in the simplified block diagram of figure 1 and somewhat less clearly in the detailed diagram of figure 2. Most of the signals in the MPX-16 pass on one or more of the several buses.

The *local bus* is shared by the 8088

# USER-FRIENDLY COMMUNICATIONS WITH THE MODEM II™

With user prompts at all levels of command entry, the Multi-Tech Modem II makes data communications from your Apple II\* or II plus\* easy on even a bare bones computer. And the keyboard dialing makes communication at 110 or 300 bps simple.

Compatible with other smart modems and Bell 103-type equipment, the Modem II is crystal controlled, needs no serial interface card, provides auto-dial and auto-answer and has a built-in speaker to monitor call progress. That means accuracy!

For more information on the Modem II or the MT212A II™ (a 1200/300 bps full duplex modem for your Apple II), call or write.

## MULTI-TECH

Multi-Tech Systems, Inc.  
82 - Second Avenue SE  
New Brighton, MN 55112  
(612) 631/3550



\*Trademark of Apple Computer, Inc.  
See us at COMDEX booth no. 2718

CPU and the 8087 NPX (if it is installed), either of which can be the local-bus master. The system bus can be driven either by the local bus under the control of the 8288 bus controller or by the 8237A-5 DMA controller.

The local bus consists of 8 multiplexed address and data lines (AD0 through AD7), 12 address lines (A8 through A19), and 3 status and control lines (S0, S1, and S2), which are connected with the global system bus through three-state buffers. Several other signals, including system clock signals and reset lines, are directly common with the system bus. The local bus can be controlled by either the CPU or the NPX, both of which have on-chip arbitration logic to determine which processor has control of the bus.

The CPU acts as a host processor to the NPX coprocessor. For example, when the 8087 NPX requires use of the local bus to return the result of an operation, it notifies the CPU by placing a series of handshaking sig-

nals on its bidirectional request/grant arbitration line  $\overline{RQ/GT0}$ . A ready/wait control line is used to lengthen bus cycles on the local bus, which may be necessary to meet the access-time requirements of slow memory and peripheral devices, or to accommodate a DMA cycle already in progress on the system bus.

The *system bus* consists of 20 system address lines, 8 bidirectional system data lines, and several system control lines. The system data bus drives the system-board memory arrays and the I/O-expansion connectors and is buffered again to produce a "resident" data bus to which most of the on-board peripheral devices are attached. The system control bus consists of all timing signals, bus-cycle-control signals, interrupt-request lines, DMA-request/acknowledge lines, and system-bus-arbitration-control lines.

Control of the system bus is determined by a sequential-logic system-bus-arbitration circuit. The bus is always being controlled either by one

of the two coprocessors via the local bus and the 8288 bus controller (with the  $\overline{88AEN}$  control line active), or by the 8237A-5 DMA controller (with  $\overline{AENDMA}$  active). The simple bus-arbitration circuit isolates the local bus from the system bus whenever system-bus access is given to the DMA controller for direct access to memory by one of the peripheral devices. For the DMA controller to gain access to the system bus in response to its HOLD request, a "locked" 8088 instruction (which must have continuous bus access for the 8088) must not be in execution, and the local bus must be in an idle state. The  $\overline{LOCK}$  signal is also active during interrupt-acknowledge sequences, preventing the occurrence of a DMA cycle in the middle of the acknowledge sequence. Since neither of the coprocessors is involved in this bus-request/grant-arbitration sequence, a low input to the RDY1 line on the 8284 clock generator is used to force continuous wait states to be inserted in the local-bus timing cycle

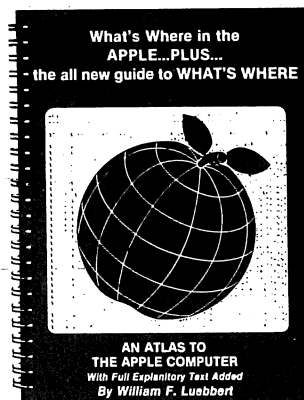
## ◆◆◆ ANNOUNCING ◆◆◆

### What's Where in the APPLE...PLUS...the All New Guide to What's Where

William F. Luebbert's Revised Edition of the famous Apple Atlas

The original *What's Where in the APPLE?* provided more information on the apple's memory than was available anywhere else. Now the *Revised Edition*:

- Guides you — with a numerical Atlas and an alphabetical Gazetteer — to over 2,000 memory locations of PEEKs, POKEs and CALLs.
- Gives names and locations of various Monitor, DOS, Integer BASIC and Applesoft routines, and tells you what they're used for.
- Enables you to move easily between BASIC and Machine Language.
- Guides you through the inner workings and hidden mechanisms of the Apple.



The Atlas and The All New Guide are available in one 256-page Wire-O-Bound book for only **\$24.95**

If you own the original *What's Where in the Apple?* you will want **THE GUIDE** to complement your edition. This 128-page, Wire-O-Bound version contains all new material to be used with the memory map and atlas for **\$9.95**

Ask for it at your computer store

Use the Coupon to Order Direct from MICRO or

Call Toll Free Today 1-800-345-8112  
(In PA 1-800-662-2444)

**All Apple users will find this book helpful in understanding their machine, and essential for mastering it.**

Please send me:

What's Where in the APPLE...PLUS... @ \$24.95

the All New Guide to What's Where

THE GUIDE @ \$ 9.95

Add \$2.00 surface shipping for each copy, Massachusetts residents add 5% sales tax.

Total Enclosed \$ \_\_\_\_\_

Check  VISA  Master Card Acct # \_\_\_\_\_

Expires \_\_\_\_\_

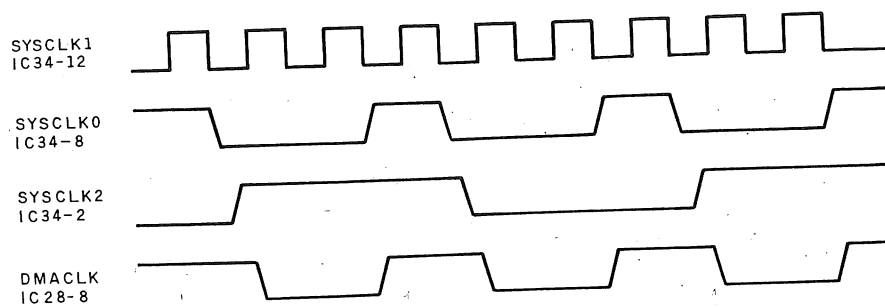
Name \_\_\_\_\_

Address \_\_\_\_\_

City \_\_\_\_\_ State \_\_\_\_\_ Zip \_\_\_\_\_

**MICRO INK, 34 Chelmsford St., P.O. Box 6502, Chelmsford, MA 01824**

B1182  
83-347



	TYPICAL CLOCK PERIODS (ns)							
	SYSCLK0		SYSCLK1		SYSCLK2		DMACLK	
	CLK <sub>L</sub>	CLK <sub>H</sub>	CLK <sub>L</sub>	CLK <sub>H</sub>	CLK <sub>L</sub>	CLK <sub>H</sub>	CLK <sub>L</sub>	CLK <sub>H</sub>
15.0MHz CRYSTAL	133.3	66.7	33.3	33.3	200	200	105	95
14.31818MHz CRSTAL	139.7	69.8	34.9	34.9	209.5	209.5	111.5	98

Figure 8: Timing diagram showing the relationship of the four major system clock signals. The table shows clock-high and clock-low periods for both the 14.31818-MHz and 15.0-MHz crystals in nanoseconds.

until access to the system bus has been restored to the local bus.

### Reset and Clock-Generator Circuits

The power-on reset pulse and all major system clock signals for the MPX-16 system and I/O-expansion slots are generated by an Intel 8284 clock generator and driver (IC34 in figure 3a). The 8284 is designed to provide the optimum clock signal, with a 33 percent duty cycle, at the voltage levels and transition times required by the 8088 CPU (IC36) and the 8087 NPX (IC37).

The 5-MHz 8088 used in the MPX-16 must operate with a clock rate between 2 and 5 MHz. (The 8088-2 version can run at 8 MHz.) The standard MPX-16 operates at a frequency of 4.77 MHz, which is derived from a 14.31818-MHz crystal oscillator. This crystal frequency provides compatibility with IBM Personal Computer color-graphics adapters, which use the 14.31818-MHz OSC clock output of the 8284 to produce a 3.58-MHz color-burst signal. The variable trimmer capacitor C9 is used to make minor adjustments in the clock frequency. An optional 15-MHz crystal can be substituted to operate the MPX-16 at its maximum clock rate of 5 MHz.

The 8284 divides the 14.31818-MHz oscillator frequency by 3 to provide the 33-percent-duty-cycle CPU clock, SYSCLK0. This clock signal is used by many parts of the MPX-16, including the 8087, the 8288 bus controller, the system-bus-arbitration circuit, and the I/O-expansion channels. SYSCLK0 is also used to provide a clock signal (DMACLK) for the 8237A-5 DMA controller. Some Schmitt-trigger inverter sections (IC24, which will appear next month in section 2 of the circuit) lengthen the level-high duration of SYSCLK0 so that the clock requirements of the 8237 will be met. Deriving the DMACLK signal from SYSCLK0 has the obvious advantage of maintaining synchronization between the local bus masters (the 8088 and 8087) and the alternate system-bus master, the DMA controller (the 8237).

In addition to the processor clock signal, the 8284 provides a peripheral-device clock signal, which is one-half the frequency of the processor clock and has a 50 percent duty cycle. The oscillator clock, SYSCLK1, is not used on the MPX-16 circuit board but is routed to the I/O-expansion connectors.

The peripheral clock, SYSCLK2, is used to drive the timer input of the 8155H-2 component (IC47, which

will appear in January in section 4 of the circuit). The 8155's timer output is used to generate periodic memory-refresh requests for the dynamic memory on the system board, using the DMA controller (which we'll discuss further presently). The relationship of the four major system clock signals is illustrated in figure 8, which also contains a table of clock-high and clock-low periods for both the 14.31818- and 15.0-MHz crystals.

The 8284 clock generator is also used to generate the power-on reset pulse, SYSRES, which is active high. When power is first turned on, the rising supply voltage activates the Schmitt-trigger input pin  $\overline{\text{RES}}$  on the 8284, which has approximately 0.25 V of hysteresis; as a result, the SYSRES pulse remains active until a voltage level of 1.05 V is reached on the  $\overline{\text{RES}}$  input. The resistance/capacitance time constant set by R16 and C10 provides the necessary minimum reset pulsewidth of 50  $\mu\text{s}$  (microseconds). The 1N4148 diode D1 provides a discharge path for C10 when power has been removed.

### Nonmaskable-Interrupt Logic

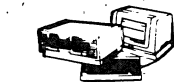
The nonmaskable interrupt (NMI) input of the 8088 CPU is used for handling parity errors in the system-board memory and I/O-channel errors, which are typically also parity errors occurring in expansion-memory modules.

Although the NMI signal is non-maskable once it gets to the 8088, logic is provided to externally mask the signals that would normally generate an NMI, if desired. Two input lines, PC4 and PC5, of the 8255A-5 PPI (programmable peripheral interface, IC60, to appear in section 4 of the circuit) are used as active-low enable signals. The  $\overline{\text{ENNMI}}$  signal either enables or prevents NMI signals from reaching the 8088.

One source of interrupts is the  $\overline{\text{PARERR}}$  signal, which is generated by the system-board circuit that calculates parity values for memory and detects errors. The second source of interrupts is the  $\overline{\text{IOCHNLERR}}$  signal, which comes from the I/O-expansion slots. The latter signal can be masked by the  $\overline{\text{ENIOC}}$  control line in such a

# OUR PRICES WILL GET YOUR ATTENTION. OUR SERVICE WILL KEEP IT.

## SOME OF OUR PRODUCTS:



### TELEVIDEO COMPUTERS

	LIST	SELL
TS-801 Computer	3295	2065
TS-802 Computer/ Terminal	3495	2835
TS-802H Computer/ Terminal	5995	5045



### NORTHSTAR COMPUTERS

	LIST	SELL
ADVANTAGE ADV-2Q-64K	3999	Call
HORIZON HRZ-2Q-64K	3599	Call
HRZ-1Q-64K-HD5	6695	Call

### ZENITH DATA SYSTEMS' MONITOR

	LIST	SELL
ZEN-VMM-121 12" Green Screen Monitor	160	110

Ask us about other fine Zenith Products.



### TELEVIDEO TERMINALS

	LIST	SELL
910 Terminal	699	585
925 Terminal	995	745
950 Terminal	1195	945

### TELEVIDEO SOFTWARE

	LIST	SELL
TELE SOLUTIONS WordStar Plus CalcStar Packaged For Televideo	790	500



### PRINTERS

	LIST	SELL
Okidata 82 A	719	490
Okidata 83 A	1195	740

We also handle NEC, Epson and Smith-Corona. Call for prices and availability.



### MICROPRO SOFTWARE

	LIST	SELL
WordStar	495	275
Apple WordStar— 16 Sector	375	235
SpellStar	250	155
MailMerge	250	100
DataStar	295	205
SuperSort	250	165
Apple MailMerge— 16 Sector	Call	
CalcStar	145	116

### PLUS MANY OTHER FINE PRODUCTS:



## UNDER NEW OWNERSHIP

Don't let anyone tell you that service and prices are a trade-off. We're proof you can have both.

Our service begins even before you call. Because we've taken the trouble to select the most reliable equipment and products for sale.

We'll discuss your needs, and help you make the right decision. Then we'll test and configure equipment to be sure it's compatible with

your system. We'll even initialize your software.

Our repair parts stock and technical expertise will help you keep your system up, and hold maintenance costs down.

So go ahead and be amazed by our low prices, but remember: the best is yet to come.

Prices change daily—call for current pricing.

In California call 714-562-7571



## AUTOMATED EQUIPMENT, INC.

8775 Olive Lane, Suites I & J, Santee, CA 92071

way that only system-board parity errors will cause an interrupt. The NMI input of the 8088 CPU is edge-sensitive but must remain active-high during two consecutive CPU clock cycles to guarantee recognition of the interrupt.

The NMI condition is predefined to be a "type 2" interrupt for the 8088, the highest-priority hardware interrupt. Since the vector (control-branching) location has been pre-assigned to locations hexadecimal 00008 through 0000B, no interrupt-acknowledge sequence is needed in a program.

### DMA Controller and Bus Arbitration

Direct memory access has long been known as a way to improve the performance and I/O speed of a computer system by allowing I/O devices to directly transfer data to or from system memory without processor intervention, but until recently it has rarely been found in microcomputer systems. However, more widespread use of DMA has been made possible by semiconductor manufacturers, which have developed new ICs that make DMA much more easily provided. The MPX-16 employs one such integrated circuit, the Intel 8237A-5 DMA controller (IC48 in figure 3b on page 90).

Four independent channels of 20-bit-address direct memory access are supported by the MPX-16 system. Two of the DMA channels are available on the I/O-expansion bus to support high-speed data transfers between external peripheral devices and memory. A third channel, used by the floppy-disk-drive controller, is connected to the I/O-expansion bus for compatibility with the IBM Personal Computer.

The fourth DMA channel is used to provide the periodic refresh signal for the on-board dynamic-memory array, as well as any expansion memory boards, in which each row address of the dynamic-memory chips must be accessed. During system initialization, the TIMER OUT output of the 8155H-2 is set up to trigger a dummy DMA transfer approximately every 15  $\mu$ s. The DMA channel is pro-

grammed for a memory-read cycle; it automatically increments the row-address counter for memory after each refresh cycle.

When no DMA requests are pending, the DMA controller is in an idle state (S1) and can be programmed by the CPU. If a DMA channel requests service for a peripheral device and that channel has been enabled by the system software, the DMA controller sends the signal DMAHLDRQST (DMA hold request) to the system-

bus-arbitration circuit and enters the active state S0. The 8237 remains in the S0 state until it has received the signal DMAHLDAK (DMA hold acknowledge) from the bus-arbitration circuit, indicating that it has been granted control of the system bus.

At this time the system-bus-arbitration circuit isolates the local bus from the system bus by activating the control signal 88AEN. When this signal becomes inactive again, the 8288 bus controller (IC51) places the

system-bus command-line buffers into a high-impedance state and disables the 74LS245 data transceiver IC43. In addition, the 88AEN signal places the system-bus-address latches, IC50, IC38, and IC44, into a high-impedance state so that the local-bus master can drive the local bus during a DMA cycle without affecting operations on the system bus.

After one system-clock cycle following the arrival of the hold-acknowledge signal, the AENDMA control signal from IC24 enables the DMA bus-interface components. One of the 74LS373 latches, IC43, drives system address lines SYSA8 through SYSA15. The eight low-order address lines, SYSA0 through SYSA7, are driven by lines A0 through A7 on the 8237 through a 74LS245 transceiver, IC49 (shown in figure 3a on page 89). The data-flow-direction input of IC49 is controlled by the AENDMA signal such that data flow is from IC49 to the system address bus when a DMA transfer is in progress.

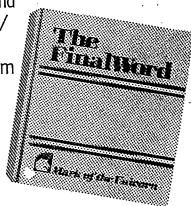
During processor memory transfers, the AENDMA signal is high, and address information flows from the system address bus through IC49 to the 8237. The four high-order system-bus-address lines, SYSA16 through SYSA19, are driven by three 4-bit latches (IC40, IC41, and IC42). These latches are loaded by either the operating system or application software and allow each DMA channel to operate in a separate 64K-byte section of memory if desired. Since DMA channel 0 is used for memory refresh and only the eight low-order address lines are significant, the latch for DMA channel 1 is used to drive the upper four address lines for both channels 0 and 1. The three address latches are enabled when both the AENDMA signal is active-low and the appropriate acknowledge signal is active.

Once the transfer of a single byte has been completed, the DMA controller turns off the DMAHLDRQST line. As a result, the DMAHLDAK signal goes inactive almost immediately. On the next clock cycle, the system-bus-interface components and 8288 bus controller are reactivated by a low state on the 88AEN

# Now, for the IBM: The FinalWord!

The only word processing software package you'll ever need

How could anyone call their word processor The FinalWord? Take the best features of the most popular word processors, combine them and add a few more in one text editor/formatter and you'd be off to a good start. Then, write the program in C to allow user customization and make it capable of supporting any printer on the market and you'd be ahead of everybody else. If you went one step further and made your word processor transportable from one terminal to another you'd have—The FinalWord.



Supports multiple printers: The FinalWord allows you to produce high-speed draft copies on one printer, and letter-quality on another. It also means you'll never need another version just because you bought a new printer.

User-installable on different hardware: With The FinalWord you can upgrade your system and still have a familiar screen display. And since we've written The FinalWord in C, new versions are available almost as soon as new computers.

Features that put you in control: Look at what you get with The FinalWord: automatic generation of Table of Contents, Index, footnoting and chapter/section numbering; enhanced command sets (delete/move a letter, word, sentence, paragraph, page); multiple buffers and windows, deletion recovery, true proportional spacing and more. And because we wrote The FinalWord to be easily reconfigured for different systems, our price can be lower.

Features	The FinalWord™	WordStar™
Full-Screen Editing	Yes	Yes
Directory Access while Editing	Yes	Yes
Simultaneous Printing while Editing	Yes	Yes
External Commands while Editing	Yes	Yes
Video Highlighting	Yes	Yes
Automatic Footnotes	Yes	No
User-Defined Commands	Yes	No
Multiple File Editing	Yes	No
Deletion Recovery	Yes	No
Supports Multiple Printers	Yes	No
Crash Recovery	Yes	No
Dynamic Include Files	Yes	No
<b>Suggested Retail Price</b>	<b>\$300</b>	<b>\$495</b>

The FinalWord for the IBM personal computer requires 64K, IBM.DOS, and a printer or communications adapter; otherwise, The FinalWord requires a 56K CP/M system and any video terminal with cursor positioning character sequences. It is presently available in 8" standard format for the TRS-80 Model II, Vector Graphics and Altos Systems. There are compatible versions for the HP-125, Xerox 820, Cromemco, Micropolis and Dynabyte Systems, and there are 5 1/4" versions for the Heath/Zenith Z-89, Northstar, Apple and Superbrain. **Coming Soon: The FinalWord for the DEC Personal Computer.**

The FinalWord is available through leading retailers, Westco, and Discount Software, or directly from:

**Mark of the Unicorn, Inc.**  
PO BOX 423  
Arlington, Massachusetts 02174  
(617) 489-1387

Dealer and OEM inquiries invited.

TM The FinalWord is a trademark of Mark of the Unicorn. WordStar is a trademark of MicroPro International



## Mark of the Unicorn

line, and the DMA bus-interface components are disabled by a high state on the AENDMA line. After the 88AEN signal goes active-low, the 8288 does not drive the control bus until at least 105 ns (nanoseconds) and not more than 275 ns have elapsed, if a local-bus master has a bus cycle pending. A section of the 74LS10 three-input NAND gate IC30 and some flip-flops (in section 2) guarantee this by delaying the 84AEN signal by two clock periods from the time the 88AEN line goes low.

The DMAHLDRQST signal goes inactive after the transfer of each byte, even if the channel requesting service has not dropped the request. This provides at least one machine cycle between successive DMA transfers.

### To Be Continued

Since it may take you a month to digest this much information, I'll stop the first installment of this series here. (Besides, I don't want to take up the whole magazine, though I could easily do it in describing this complex project.)

### Next Month and Thereafter:

In Part 2, I'll concentrate on the MPX-16's memory section, interrupt logic, and I/O-expansion bus (including a detailed definition of each signal). The third installment will discuss the serial and parallel I/O ports, floppy-disk-drive controller, and operating-system BIOS, plus any other facts needed to summarize the project. ■

To receive a complete list of Ciarcia's Circuit Cellar project kits available from the Micromint, circle 100 on the reader service inquiry card at the back of the magazine.

**Editor's Note:** Steve often refers to previous Circuit Cellar articles as reference material for each month's current article. Most of these past articles are available in reprint books from BYTE Books, McGraw-Hill Book Company, POB 400, Hightstown, NJ 08520. Ciarcia's Circuit Cellar, Volume I, covers articles that appeared in BYTE from September 1977 through November 1978. Ciarcia's Circuit Cellar, Volume II, contains articles from December 1978 through June 1980. Ciarcia's Circuit Cellar, Volume III, contains the articles that were published from July 1980 through December 1981.

### Acknowledgments

Thanks to Jim Norris, George Martin, and Linda Spencer of Owl Electronic Laboratories for their contributions to the design.

Thanks to Mark Dahmke and Gordon Heins for their help with the documentation.

Thanks to Bill Morello and his staff at Techart Associates for their careful work in drawing the schematic diagrams.

### References

1. Cantrell, Thomas. "An 8088 Processor for the S-100 Bus." Part 1, September 1980 BYTE, page 46; Part 2, October 1980 BYTE, page 62; Part 3, November 1980 BYTE, page 340.
2. Ciarcia, Steve. "Ease into 16-Bit Computing." Part 1, March 1980 BYTE, page 17. Part 2, April 1980 BYTE, page 40. Reprinted in Ciarcia's Circuit Cellar, Volume II. Peterborough, NH: BYTE Books, 1981, page 171.
3. Ciarcia, Steve. "The Intel 8086." November 1979 BYTE, page 14. Reprinted in Ciarcia's Circuit Cellar, Volume II. Peterborough, NH: BYTE Books, 1981, page 120.
4. Component Data Catalog. Santa Clara, CA: Intel Corporation, 1981.
5. iAPX 88 Book. Santa Clara, CA: Intel Corporation, 1981.
6. iAPX 86,88 User's Manual. Santa Clara, CA: Intel Corporation, 1981.

The following items are available from:

The Micromint Inc.

917 Midway  
Woodmere, NY 11598

(516) 374-6793

(for technical information)

(800) 645-3479

(for orders only)

1. MPX-16 single-board computer system: assembled, tested, and burned-in. Includes 64K bytes of RAM, CP/M-86 operating system on 5¼-inch floppy disk, CP/M-86 BIOS in EPROM, MPX-16 Technical Reference and User's Manual. Requires power supply and 5¼-inch floppy-disk drive.  
Single-quantity price.....\$1895.

2. MPX-16 single-board computer system, as above, but with 256K bytes of RAM installed.  
Single-quantity price.....\$2135.

3. MPX-16 single-board computer with 64K bytes of RAM.  
In OEM quantities of 100...\$1200 each.

4. Complete MPX-16 disk-based system: includes MPX-16 single-board computer, assembled, tested, and burned-in, with 256K bytes of RAM installed, CP/M-86 operating system on 5¼-inch floppy disk, CP/M-86 BIOS in EPROM, power supply, one 5¼-inch floppy-disk drive, connecting cables, MPX-16 Technical Reference and User's Manual. (Enclosure sold separately.)  
Single-quantity price.....\$2895.

5. Unpopulated (blank) printed-circuit board for the MPX-16 computer system: five-layer, screened, and solder-masked. Includes CP/M-86 BIOS in EPROM, MPX-16 Technical Reference and User's Manual.  
Single-quantity price.....\$300.

6. Digital Research CP/M-86 User's Manual (three-volume set), sold separately.....\$60.

7. MPX-16 Technical Reference and User's Manual, sold separately...\$50.

8. Enclosure for MPX-16 circuit board.....call for price.

\* \* \*

When it becomes available for the MPX-16, Microsoft's MS-DOS operating system may be optionally substituted for CP/M-86.

The MPX-16 is available to OEMs in large quantities either as a circuit board or as a complete system with floppy-disk drives and enclosure. Call The Micromint for prices and delivery information. Sellers reserve the right to limit the number of units sold to a single customer.

For orders within the continental United States, please include \$10 for shipping; overseas orders please include \$30.

Residents of New York please include 7 percent sales tax.

## Build the Circuit Cellar MPX-16 Computer System Part 2

*A continued description of an 8088-based system that shares its principles of operation with the IBM Personal Computer.*

---

Steve Ciarcia  
POB 582  
Glastonbury, CT 06033

---

This article is the second of three describing the design and operation of my most ambitious construction project to date: the Circuit Cellar MPX-16 computer system. I've written these articles with the intent of giving you a grasp of the basic functional parts of a complicated piece of electronic equipment and how these parts work together.

Because the MPX-16 is somewhat more complex than the projects I normally write about, I've had to simplify the presentation of many details to fit them into the magazine, but if you're interested in building an MPX-16, you can get all the details you need from the *MPX-16 Technical Reference and User's Manual*, which comes with the printed-circuit board available from The Micromint (see the text box on page 78). This book includes timing diagrams and listings

---

Copyright © 1982 by Steven A. Ciarcia.  
All rights reserved.

---

*IBM and IBM Personal Computer are trademarks of International Business Machines Corporation.  
CP/M-86 is a trademark of Digital Research Inc.*

---

of the MPX-16's special software.

Last month I presented an overview of the system and a discussion of the coprocessors and bus structures. This month, I'd like to continue by explaining memory, interrupts, the expansion bus, and I/O (input/output) decoding. But first, here's a recap of the MPX-16's features.

### System Features

The Circuit Cellar MPX-16 computer system fundamentally consists of a single 9- by 12-inch five-layer printed-circuit board (containing 120 integrated-circuit packages), to which various peripheral devices are attached. It has nine expansion slots and is completely compatible with the I/O-expansion bus of the IBM Personal Computer.

The MPX-16 uses the Intel 8088 microprocessor and the optional 8087 numeric coprocessor; the main circuit board has room for 256K bytes of user memory and contains two serial and three parallel I/O ports, a floppy-disk controller, and EPROMs (erasable programmable read-only memories) containing the BIOS (basic I/O system) module of Digital Research's CP/M-86 16-bit disk operating system. The MPX-16 can be

readily expanded to provide a full 1 megabyte of user memory and several megabytes of hard-disk mass storage. A more detailed list of characteristics appears in table 1.

The MPX-16 was initially designed to run CP/M-86, but eventually Microsoft's MS-DOS operating system will be available for it, making it possible to run most software written for the IBM Personal Computer on the MPX-16, except software that uses unique features of the IBM PC. The principal difference is this: with the present BIOS, the MPX-16 communicates with the user through a serially interfaced display terminal instead of a memory-mapped video display. (You could theoretically install an IBM Color Graphics Display Adapter and a serial IBM-type keyboard for exact hardware emulation.)

The MPX-16 is well suited for use as a low-cost 8088-based computer for integration into a complete hardware/software package, chiefly because it combines so many functions on a single printed-circuit board. Putting together the hardware of a complete system, you need only add a power supply, a serial video display or printing terminal, and one floppy-disk drive (either 5¼- or



1. designed to use a 5-MHz Intel 8088 microprocessor, which combines a 16-bit architecture with an 8-bit bus interface and has 20-bit addressing capability for up to 1 megabyte of system memory, operating in maximum mode to support multiprocessing
2. optional Intel 8087 math coprocessor
3. onboard space for four 64K-byte banks of dynamic RAM for a total of up to 256K bytes, with parity generation and error detection
4. sockets for up to 64K bytes of JEDEC 24- or 28-pin standard ROM or EPROM devices
5. two RS-232C serial I/O ports
6. two 8-bit general-purpose parallel I/O ports with handshaking control lines
7. one Centronics-compatible parallel printer port
8. four programmable timers (one for a real-time clock, two for data rates, one for memory-refresh requests)
9. four independent DMA (direct memory access) channels
10. sixteen levels of vectored, prioritized interrupt control
11. single- or double-density floppy-disk controller for controlling up to four 5¼-inch or 8-inch single- or double-sided drives
12. five 62-pin I/O-expansion-channel connectors (hardware compatible with the IBM Personal Computer) with space for four more
13. five-layer 9- by 12-inch printed-circuit board
14. BIOS for CP/M-86 in EPROM

**Table 1:** Major characteristics of the MPX-16 computer system.

Start Address		Bank	Function
Decimal	Hexadecimal		
0	00000	0	64K to 256K bytes of R/W memory on system board
64K	10000	1	
128K	20000	2	
192K	30000	3	
256K	40000	4	up to 704K bytes of expansion memory in I/O channel
320K	50000	5	
384K	60000	6	
448K	70000	7	
512K	80000	8	
576K	90000	9	
640K	A0000	10	
704K	B0000	11	
768K	C0000	12	
832K	D0000	13	
896K	E0000	14	
960K	F0000	R	64K bytes of system ROM/EPROM

**Figure 1:** Map of memory-address-space allocation in the MPX-16, in 64K-byte increments.

8-inch). Turn on the power, insert a CP/M-86 disk, and go. And by the time you read this, an enclosure for the circuit board should be available. Many applications need nothing more.

### System Memory

The stars of the show in November's article were the Intel 8088 microprocessor and the 8087 numeric processor extension (NPX),

with supporting roles played by the Intel 8284 clock generator/driver, the 8288 bus controller, and the 8237A-5 DMA (direct memory access) controller. This month we look at some less glamorous but equally necessary components, starting with a type of component so prosaic as to be called a commodity by the semiconductor industry: the memory.

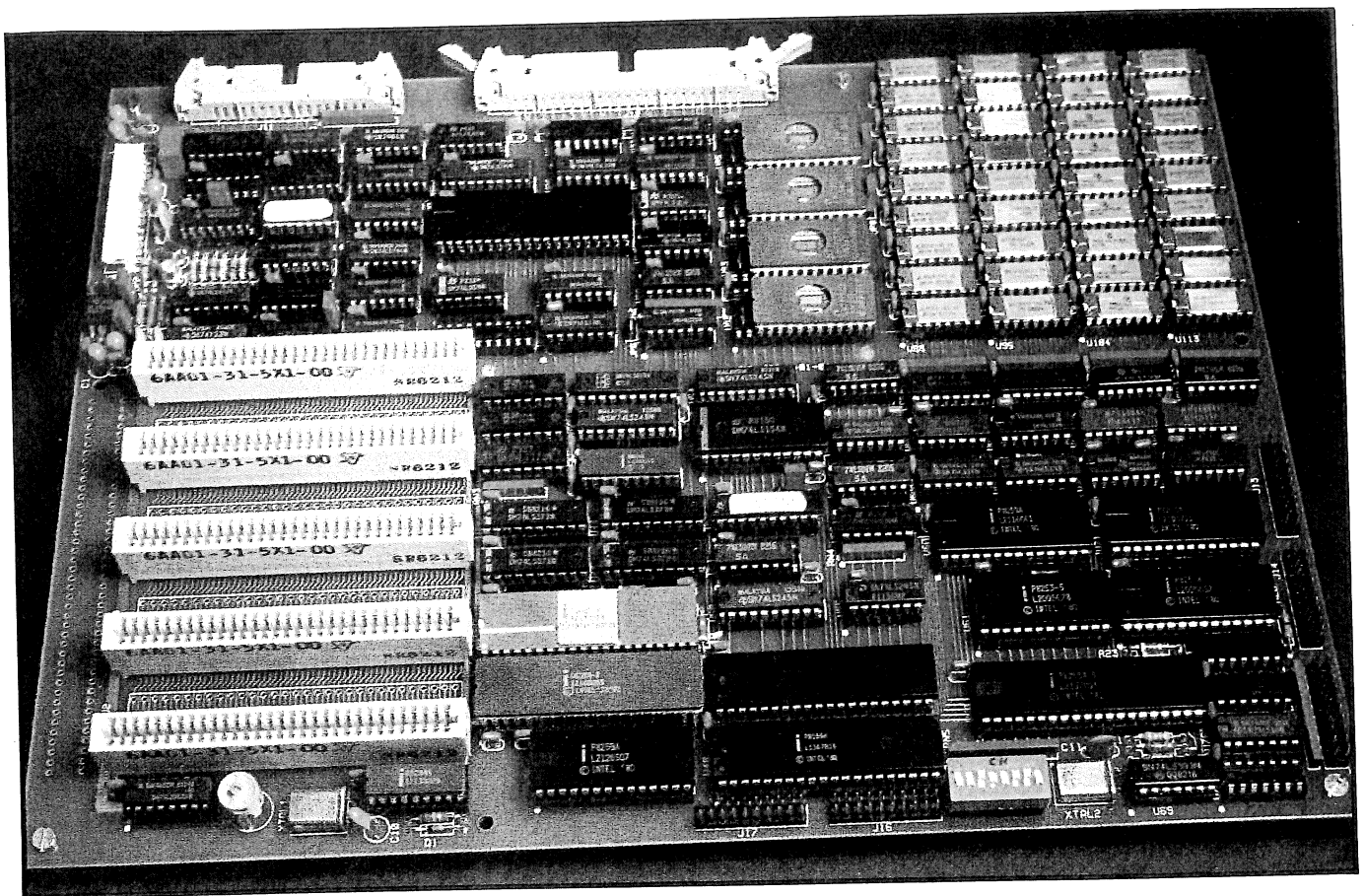
The MPX-16 system circuit board contains both read-only and

read/write memory. In addition to the possible 64K bytes of ROM, the MPX-16 circuit board contains sockets for up to 256K 9-bit words (an 8-bit byte plus a parity bit) of dynamic RAM (random-access read/write memory). Furthermore, to augment the onboard memory, as much as 704K bytes of expansion RAM or ROM can be added in the I/O-expansion slots using readily available memory-expansion boards such as the Quadram Quadboard or the Seattle Computer RAM-Plus card. A memory map of the 8088's 1-megabyte (1,048,576-byte) address space in 64K-byte increments is shown in figure 1. Two of the five sections of the schematic diagram are included in this article; section 2 appears as figure 2 on pages 48, 49, and 50; section 3 as figure 3 on pages 52, 53, and 54. A table of integrated circuits, giving their type, location, and power connections, appears on pages 56 and 60 as table 2.

### ROM Configuration

Four integrated-circuit sockets, designated IC82 through IC85 in section 3 of the schematic diagram, are provided for holding ROM (read-only memory) chips, which most often are EPROM devices. These four JEDEC- (Joint Electron Device Engineering Council) standard 28-pin sockets can contain several sizes of EPROMs, any of the various "byte-wide" (8-bit word size) devices such as the 2716 (16K bits or 2K bytes), the 2732 (4K bytes), the 2764 (8K bytes) or the 27128 (16K bytes). EPROMs with 24-pin packages, such as the 2716s and 2732s, are plugged into the lower 24 pins of the sockets, with certain jumper connections set accordingly.

For proper operation, the MPX-16 circuit board must contain a ROM or EPROM device in the highest address space (socket IC85) and a bank of RAM in the lowest address space because the 8088 processor fetches its first instruction after a power-up reset from location hexadecimal FFFF0 (usually a jump instruction branching to an initialization routine) and uses interrupt vectors in the range hexadecimal 00000 to 003FF.



**Photo 1:** The Circuit Cellar MPX-16 single-board computer system, which uses the latest technology to provide lots of low-cost computing power. The five-layer printed-circuit board contains 120 integrated circuits including most common peripheral-device interfaces; furthermore, any peripheral-device card intended for use with the IBM Personal Computer can be plugged into one of the I/O-expansion slots. There are nine slot positions, but only five sockets are installed initially.

The capacity of the ROMs (or EPROMs) used on the system board must be compatible with the configuration of onboard jumpers JP1 through JP6 and with the program stored in the 32-word by 8-bit address-decoding PROM (programmable ROM) device IC45, an HM7603. The PROM program and jumper arrangements supplied with the system board are intended for type-2732 EPROMs. A different decoding PROM is needed for other memory-device types so that the four ROM sockets may be decoded into a contiguous address space in each case. (A PROM-programming table is included in the MPX-16 documentation.) The ROM-decoding logic and memory organization are respectively shown in sections 2 and 3 of the schematic diagrams.

The ROM-address-space-decoding logic for the system board is enabled

whenever all three high-order system address bits, SYSA17 through SYSA19, are high, causing the output of a NAND gate (IC30) to go low. If five PROM-address bits SYSA11

---

**Memory chips are less glamorous than microprocessors, but just as necessary.**

---

through SYSA15 or SYSA12 through SYSA16 (depending on the jumper configuration) address one of the programmed locations, the selected ROM-chip-enable line (one of PROMSEL0 through PROMSEL3) is also driven low, selecting that memory device. The ROMSEL signal at IC28 pin 5 (a two-input OR gate in section 2) also enables a wait-state-generation circuit if jumper JP7

is connected. After one of the PROMSEL<sub>x</sub> lines has been driven active-low, a SYSMEMRD (system memory read, active-low) signal from the system bus master will initiate the memory-read cycle and generate a single wait state if JP7 is connected. Valid data from the ROMs is available on the data bus after SYSMEMRD goes low.

Normally, the MPX-16 requires ROM or EPROM devices with an access time of 350 ns (nanoseconds) or faster. The optional wait-state feature afforded through JP7 allows use of slower ROM devices with 450-ns access times. If faster devices are used, then JP7 should not be installed and the MPX-16 can operate with no wait states.

The EPROMs on the standard MPX-16 system board contain a power-on self-test routine and I/O drivers, including the CP/M-86 BIOS

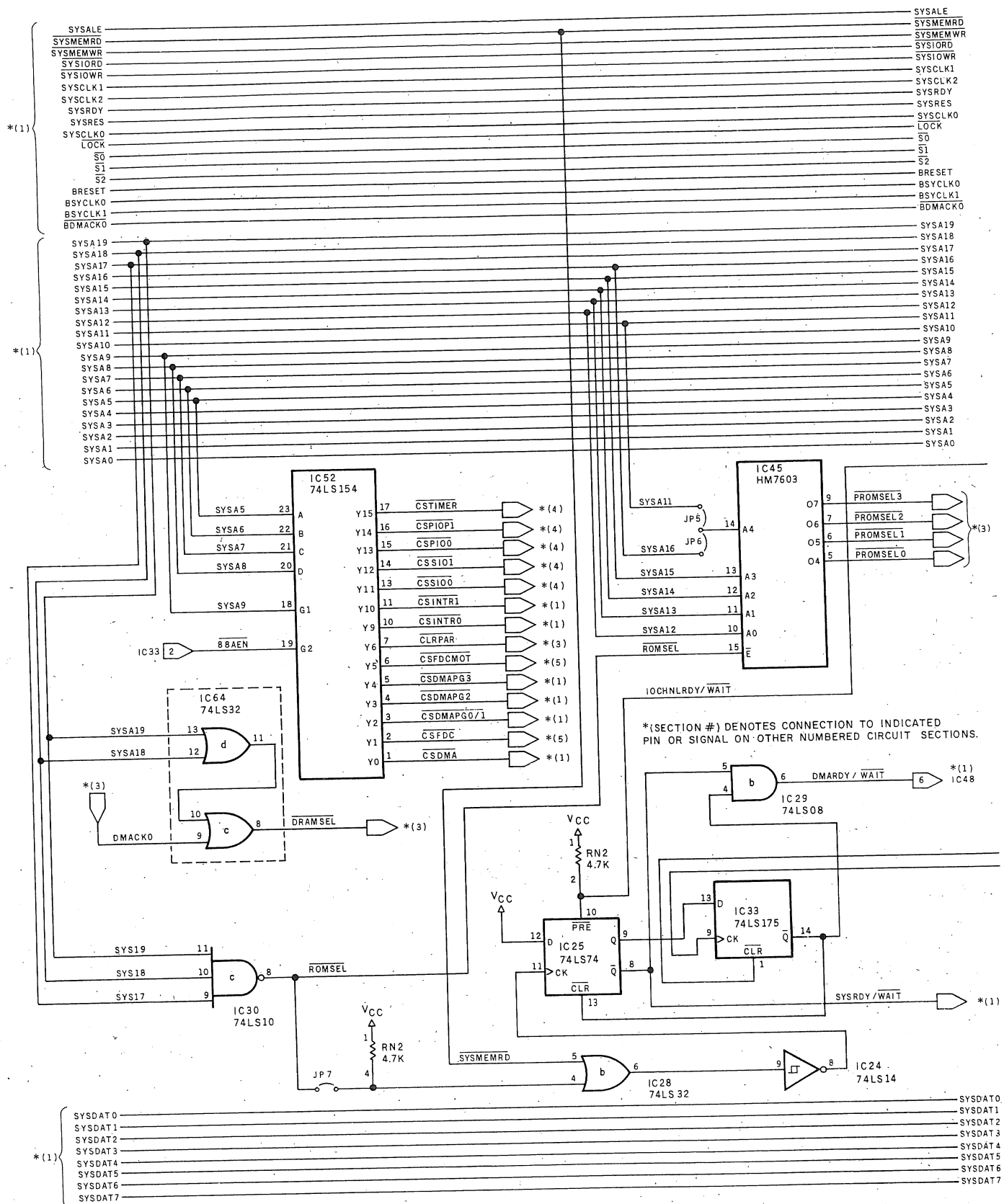
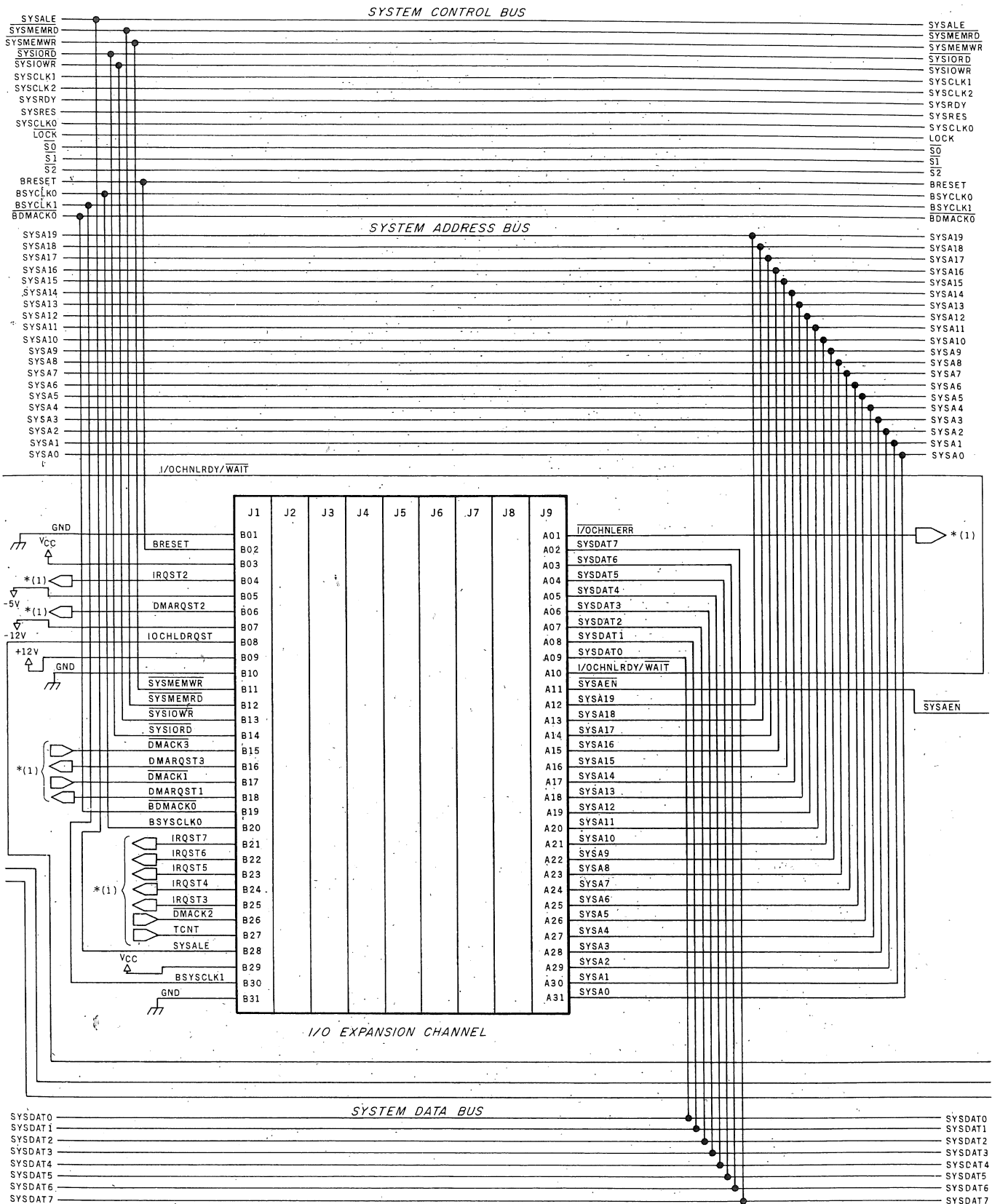


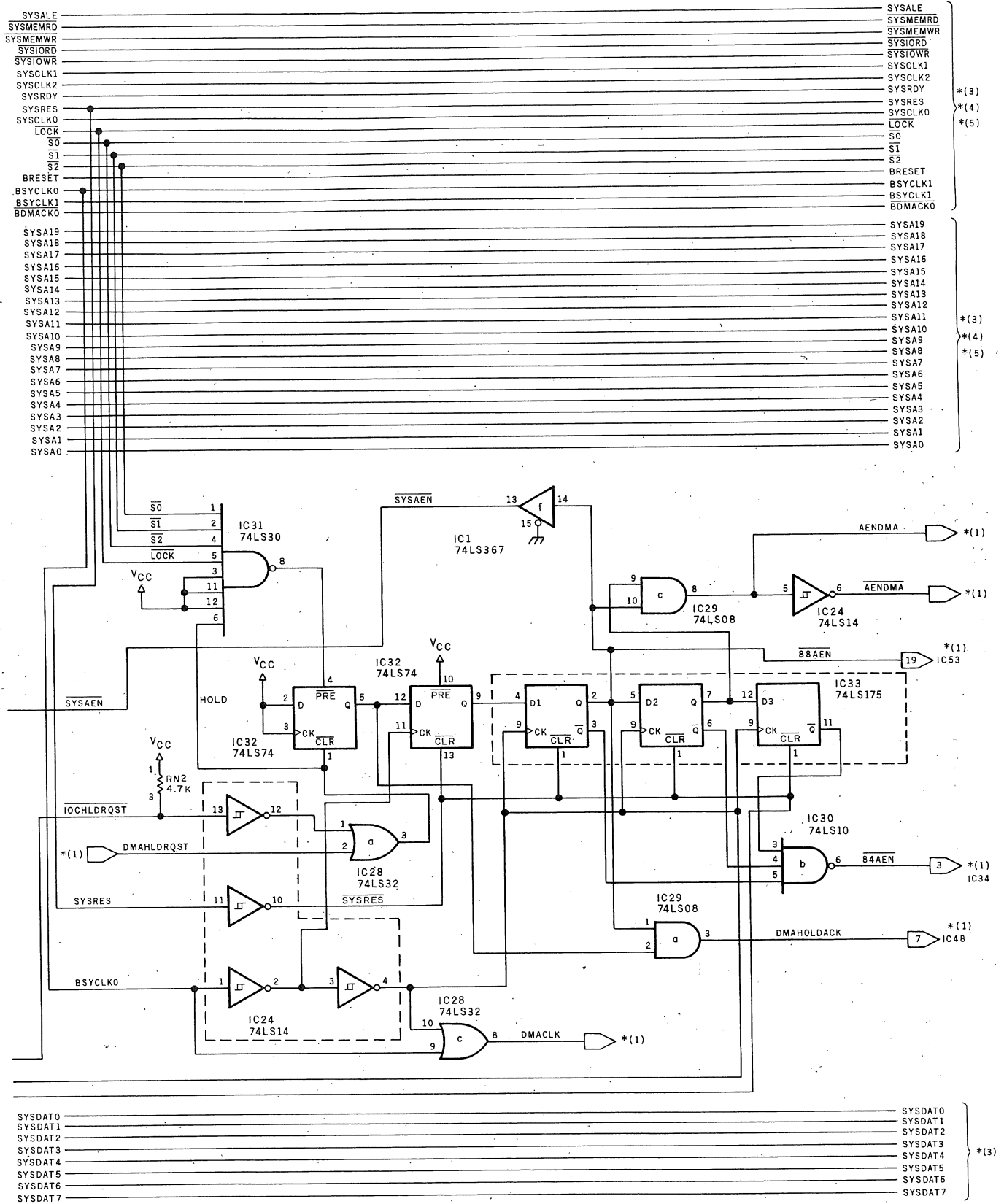
Figure 2: Section 2 of the schematic diagram of the MPX-16 computer's main circuit board. (Section 1 was printed in last month's article; section 3 appears here in figure 3; sections 4 and 5 will appear in next month's article.) The notation \*(n) indicates that a given signal line connects to a component or another line shown in schematic section n.

A table of all the MPX-16's integrated circuits appears as table 2 on pages 56 and 60, giving each device's number, type, set



tion/figure location, and power connections. Connections to the I/O-expansion-channel slots are of course made to each individual slot. Possible substitutes for the HM7603 are the 74S288, the 82S123, and the AM27S09, although it's best to use the HM7603. (The diagram is continued on page 50.)

Figure 2: Continued from page 49.



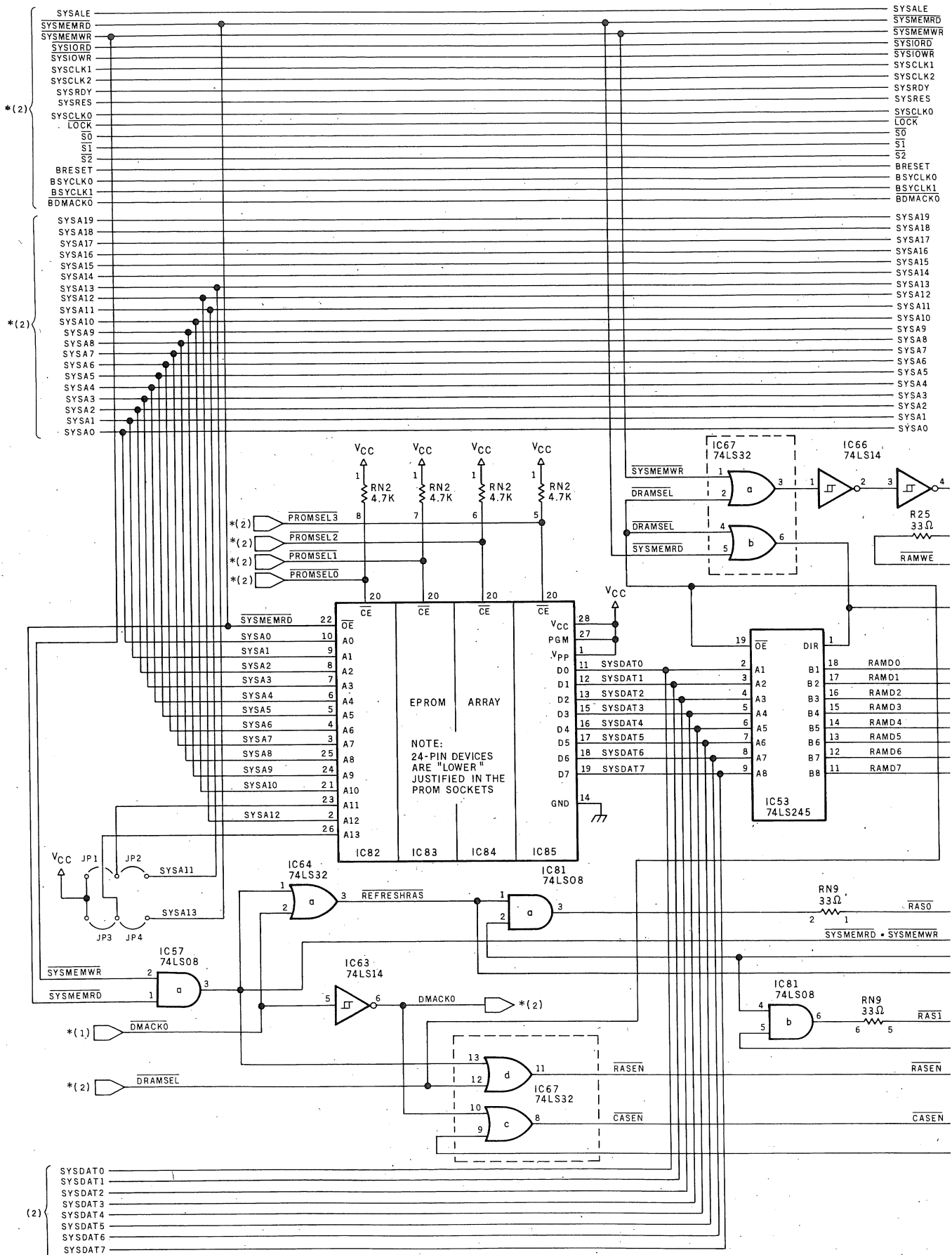
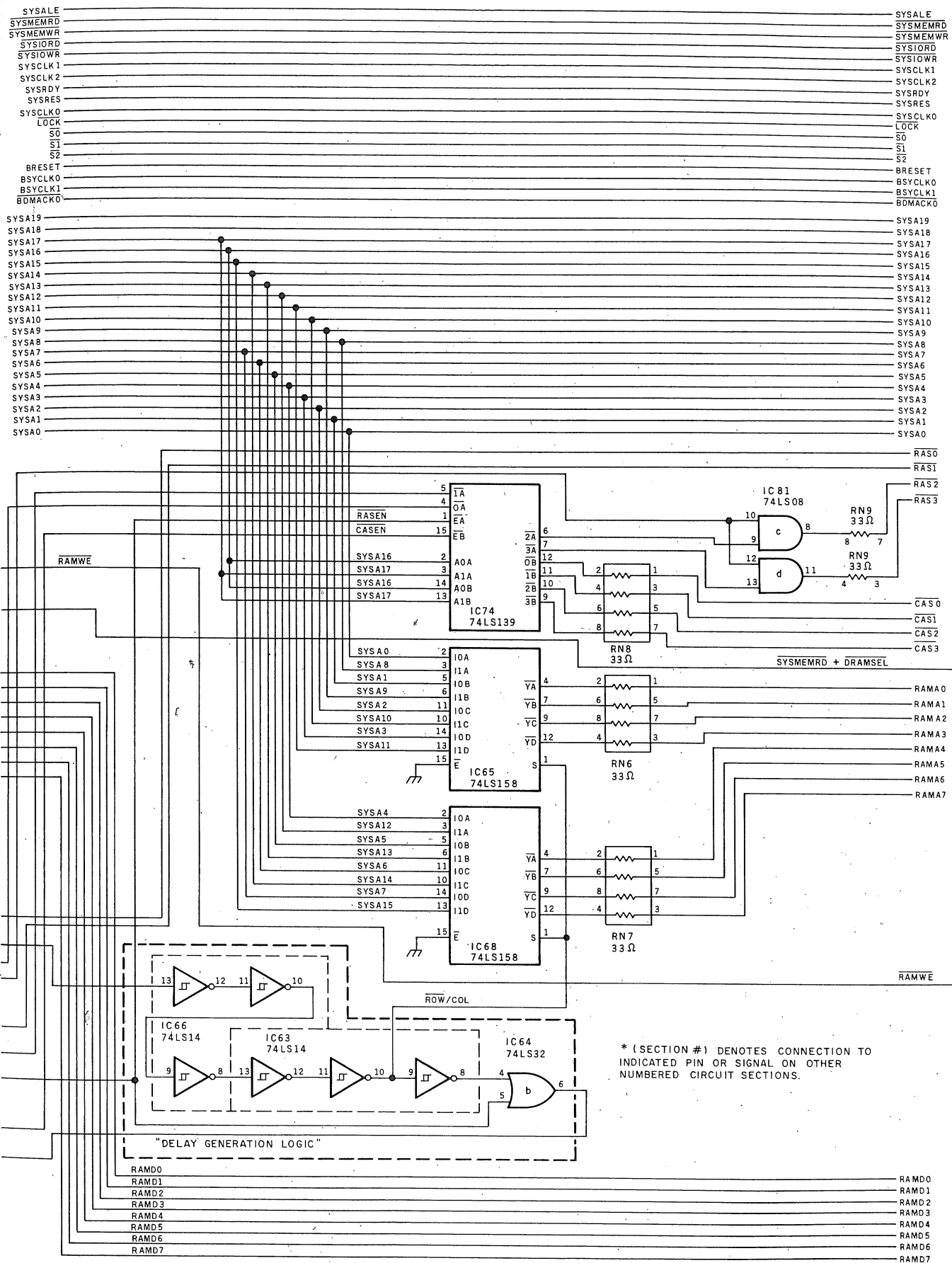


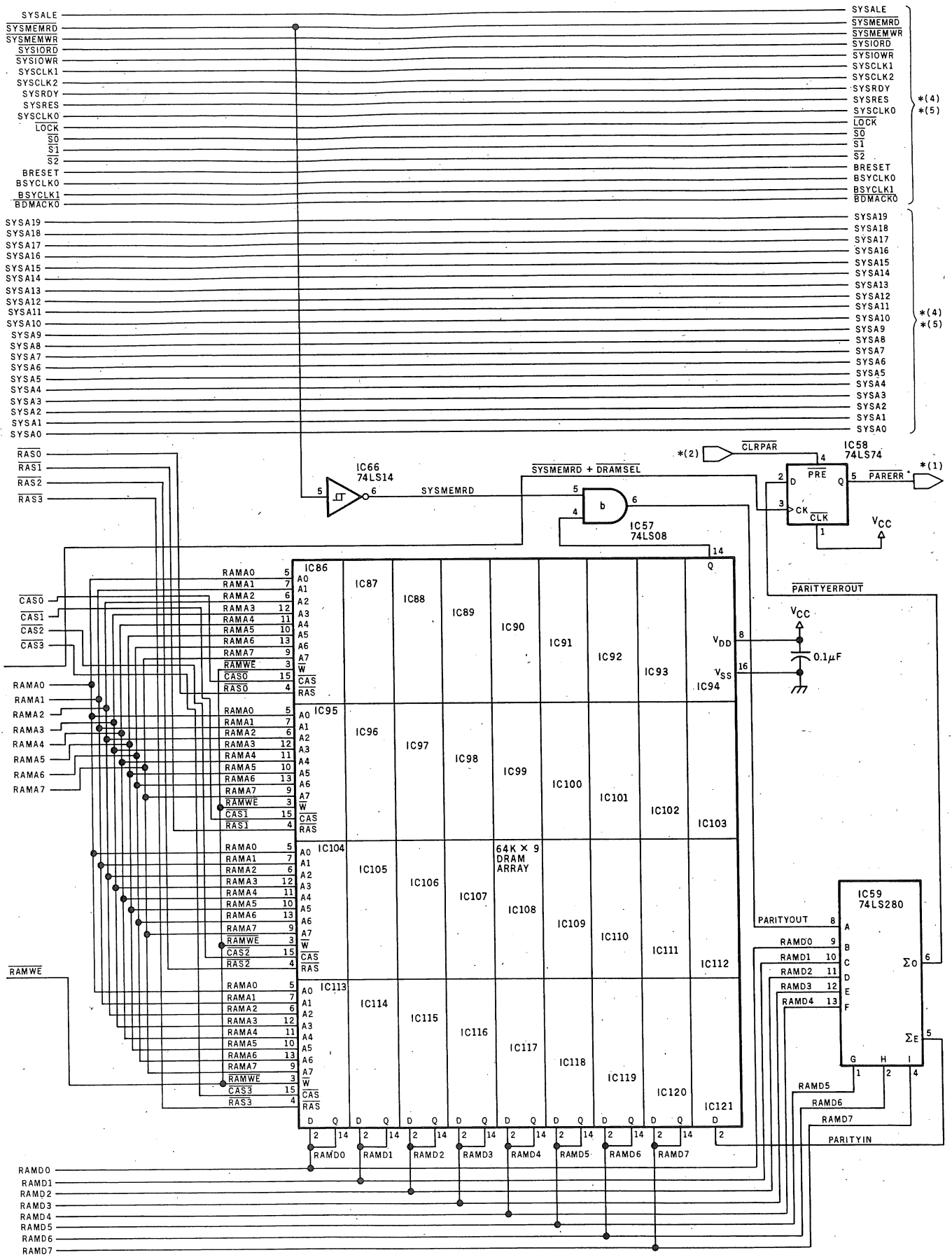
Figure 3: Section 3 of the schematic diagram of the MPX-16 computer's main circuit board. The notation \*(n) indicates that a given signal line connects to a component or another line shown in schematic section n.

Connections shown on the edges of the dynamic-memory array on page 54 are of course made to each individual chip. Bypass



capacitors, not shown, should be installed adjacent to most integrated circuits between +5 V and ground. A table of all the MPX-16's integrated circuits appears as table 2 on pages 56 and 60, giving each device's number, type, section/figure location, and power connections. (The diagram is continued on page 54.)

Figure 3: Continued from page 53.





**INCOME TAX  
ACCOUNTING**

# Quick Tax<sup>®</sup>

has the finest  
software  
I've ever seen  
for the  
**Accounting  
and Tax  
Professional.**

The programs are so well designed and supported, we had no start-up problems."—Ronald Braun, C.P.A.

## 1040 TAX PROGRAM \$995

- ALL MAJOR FORMS & SCHEDS.
- PRINTS ON IRS FORMS, MULTI-PART FORMS, OR OVERLAYS.
- INDIVIDUAL OR BATCH PROCESSING.
- AUTOMATIC CARRY-FORWARD OF PRIOR YEAR DATA.
- DIAGNOSTIC REPORTS.
- LETTER OF INSTRUCTION.
- AUTOMATIC CLIENT BILLING.
- MAILING LISTS/LABELS & ENVELOPES.
- UNLIMITED SUPPORTING SCHEDULES.

Simple and easy to use!

**PLUS:**  
PROFORMA/TAX ORGANIZER  
STATE MODULES AVAILABLE  
TAX PLANNING  
DEPRECIATION SCHEDULE

ALSO AVAILABLE:  
GENERAL LEDGER  
CLIENT WRITE-UP  
AFTER THE FACT PAYROLL  
AMORTIZATION SCHEDULE  
TIME AND BILLING

ALL QUICK TAX PROGRAMS COME WITH  
ONE YEAR WARRANTY & SUPPORT.

See your nearest computer dealer.  
Or, call or write for more information.

Quick-Tax Software is available for Xerox 820,  
IBM, PC, Radio Shack, DEC, Vector Graphic,  
Northstar, and other CP/M based computers.

CP/M is a registered trademark of Digital Research, Inc.  
DEALER DISCOUNTS AVAILABLE.

**Quick Tax<sup>®</sup>**  
Ltd

319 Clawson St. Dept. BM  
S.I., N.Y.C., N.Y. 10306  
(212) 351-6143

IC Number	Type	Schematic Section	+5 V	GND	+12 V	-12 V
VR1	LM7905	5(3-2)	(voltage regulator)			3
IC1	74LS367	1(1-3b), 2(2-2)	16	8		
IC2	74LS123	5(3-2)	16	8		
IC3	74LS157	5(3-2)	16	8		
IC4	74LS124	5(3-2)	16	8		
IC5	74LS175	5(3-2)	16	8		
IC6	74LS173	5(3-2)	16	8		
IC7	74LS393	5(3-2)	14	7		
IC8	74LS10	5(3-2)	14	7		
IC9	74LS74	5(3-2)	14	7		
IC10	M1116-8M	5(3-2)	14	7		
IC11	74LS153	5(3-2)	16	8		
IC12	74LS14	5(3-2)	14	7		
IC13	74LS74	5(3-2)	14	7		
IC14	74LS74	5(3-2)	14	7		
IC15	74LS74	5(3-2)	14	7		
IC16	74LS74	5(3-2)	14	7		
IC17	74LS175	5(3-2)	16	8		
IC18	7406	5(3-2)	14	7		
IC19	spare socket					
IC20	74LS04	1(1-3ab), 5(3-2)	14	7		
IC21	8272	5(3-2)	40	20		
IC22	74LS240	5(3-2)	20	10		
IC23	7407	5(3-2)	14	7		
IC24	74LS14	2(2-2)	14	7		
IC25	74LS74	2(2-2)	14	7		
IC26	74LS139	5(3-2)	16	8		
IC27	7407	5(3-2)	14	7		
IC28	74LS32	2(2-2), 4(3-1)	14	7		
IC29	74LS08	2(2-2)	14	7		
IC30	74LS10	1(1-3a), 2(2-2)	14	7		
IC31	74LS30	2(2-2)	14	7		
IC32	74LS74	2(2-2)	14	7		
IC33	74LS175	2(2-2)	16	8		
IC34	8284A	1(1-3a)	18	9		
IC35	8259A	1(1-3a)	28	14		
IC36	8088	1(1-3a)	40	1,20		
IC37	8087 (option)	1(1-3a)	40	1,20		
IC38	74LS373	1(1-3a)	20	10		
IC39	74LS373	1(1-3b)	20	10		
IC40	74LS173	1(1-3b)	16	8		
IC41	74LS173	1(1-3b)	16	8		
IC42	74LS173	1(1-3b)	16	8		
IC43	74LS245	1(1-3a)	20	10		
IC44	74LS373	1(1-3a)	20	10		
IC45	HM7603-5	2(2-2)	16	8		
IC46	74LS245	1(1-3a)	20	10		
IC47	8155H-2	4(3-1)	40	20		

**Table 2:** Integrated circuits in the MPX-16. Here are shown each device's number, type, section/figure location, and power connections.

The location of each chip in the five-part schematic diagram is listed by schematic section; the characters in parentheses show in which article the section appeared and which figure the device appears in. Some integrated circuits containing multiple gates appear in more than one schematic section. (The table is continued on page 60.)

**DEC. SPECIAL SALE ON PREPAID ORDERS**  
(CHARGE CARDS, C.O.D. OR P.O.'S NOT AVAILABLE)  
MUST MENTION AD FOR SPECIAL PRICES

**XMAS SPECIAL SALE**  
5% OFF ON SSM KITS, WAMECO BARE BOARDS, WAMECO BARE BOARDS WITH MIKOS PARTS, EXTEK KITS.



**CALIFORNIA COMPUTER SYSTEMS**

**\$100**

2032 32K STATIC RAM A & T. 200 NSEC	\$468.00
2065 64K DYNAMIC RAM A & T.	\$351.00
2200 S-100 MAIN FRAM A & T.	\$500.00
2422A FLOPPY DISC WITH CP/M 2.2™	\$372.50
2810A Z80 CPU A & T.	\$281.25
2710A 4 SERIAL 1/0 A & T.	\$291.95
2501A 12 SLOT MOTHER BOARD	\$180.00
2720A 4 PARALLEL A & T.	\$214.95
PROTO BOARDS WW	\$39.95

**APPLE PRODUCTS**

7114A 12K ROM/PROM	\$99.95
7424A CALENDAR/CLOCK	\$106.95
7440A PROGRAMMABLE TIMER	\$106.95
7470A A TO D CONVERTER	\$105.95
7490A GPIB (IE 488) INTERFACE	\$182.00
7710A ASYNC SERIAL	\$125.95
7712A SYNC SERIAL	\$148.50
7720A PARALLEL STANDARD	\$105.00
7720B PARALLEL CENTRONICS	\$105.00
7811B ARITHMETIC PROCESSOR W/DISC	\$325.00
7811C ARITHMETIC PROCESSOR W/ROM	\$325.00
7520A EXTENDER	\$23.50
7300A APPLE CLIP	\$8.00



**SSM MICROCOMPUTER PRODUCTS**

**\$100 PRODUCTS**

CB-2 280 PROCESSOR BOARD	
KIT	\$198.95, A & T. \$269.95
VBIC 64 x 16 VIDEO, PCBD	\$36.95
KIT	\$153.95, A & T. \$199.95
VB3 80 CHARACTER VIDEO 4MHZ	
KIT	\$345.95, A & T. \$425.95
I04 2 PARALLEL, 2 SERIAL, PCBD	\$36.95
KIT	\$160.95, A & T. \$199.95
PB-1 2708, 2716 PROGRAMMER BOARD	
KIT	\$140.95, A & T. \$189.95

**APPLE PRODUCTS**

A10 - II SERIAL/PARALLEL INTERFACE	
A & T	\$178.00
ASIO SERIAL I/O	
A & T	\$115.95
APIO PARALLEL IO W/O CABLES	
A & T	\$67.95



**WAMECO INC.**

**BOARDS WITH MIKOS PARTS**

MEM-3 32K STATIC RAM, PCBD	\$36.95
KIT LESS RAM	\$95.95, A & T. \$135.95
CPU-2 Z80 PROCESSOR, PCBD	\$32.95
KIT LESS ROM	\$109.95, A & T. \$149.95
CAT-1 36 OR 24 x 80 VIDEO BOARD, PCBD	\$38.95
KIT	\$249.95, A & T. \$299.95
FPB-1 FRONT PANEL, PCBD	\$48.50
KIT	\$144.95, A & T. \$184.95
MEM-4 65K RAM/ROM BOARD, PCBD	\$38.95
KIT LESS MEMORY	\$99.95, A & T. \$129.95

**MIKOS**  
MONDAY-FRIDAY, 8:00 TO 12:00, 1:00 TO 5:30  
THURSDAYS, 8:00 TO 9:00 P.M.  
(415) 728-9121

**P.O. BOX 955 • EL GRANADA, CA 94018**

PLEASE SEND FOR IC, XISTOR AND COMPUTER PARTS LIST  
VISA or MASTERCARD. Send account number, interbank  
number, expiration date and sign your order. Approx. postage will  
be added. Orders with check or money order will be sent post paid  
in U.S. If you are not a regular customer, please use charge,  
cashier's check or postal money order. Otherwise there will be a  
two-week delay for checks to clear. Calif. residents add 6.5% tax.  
Money back 30-day guarantee. We cannot accept returned IC's  
that have been soldered to. Prices subject to change without  
notice. \$20.00 minimum order. \$2.00 service charge on orders less than  
\$20.00.

IC Number	Type	Schematic Section	+5 V	GND	+12 V	-12 V
IC48	8237A-5	1(1-3b)	31	20		
IC49	74LS245	1(1-3a)	20	10		
IC50	74LS373	1(1-3a)	20	10		
IC51	8288	1(1-3a)	20	10		
IC52	74LS154	2(2-2)	24	12		
IC53	74LS245	3(2-3)	20	10		
IC54	74LS243	1(1-3b)	14	7		
IC55	74LS08	1(1-3ab),5(3-2)	14	7		
IC56	74LS32	1(1-3a)	14	7		
IC57	74LS08	3(2-3)	14	7		
IC58	74LS74	3(2-3),4(3-1)	14	7		
IC59	74LS280	3(2-3)	14	7		
IC60	8255A-5	4(3-1)	26	7		
IC61	8253-5	4(3-1)	24	12		
IC62	8259A	1(1-3a)	28	14		
IC63	74LS14	1(1-3a),3(2-3)	14	7		
IC64	74LS32	2(2-2),3(2-3)	14	7		
IC65	74LS158	3(2-3)	16	8		
IC66	74LS14	3(2-3)	14	7		
IC67	74LS32	3(2-3)	14	7		
IC68	74LS158	3(2-3)	16	8		
IC69	74LS393	4(3-1)	14	7		
IC70	8251A	4(3-1)	26	4		
IC71	8251A	4(3-1)	26	4		
IC72	1489	4(3-1)	14	7		
IC73	1489	4(3-1)	14	7		
IC74	74LS139	3(2-3)	16	8		
IC75	74LS00	1(1-3b)	14	7		
IC76	74LS14	4(3-1)	14	7		
IC77	7407	4(3-1)	14	7		
IC78	7407	4(3-1)	14	7		
IC79	1488	4(3-1)		7	14	1
IC80	1488	4(3-1)		7	14	1
IC81	74LS08	3(2-3)	14	7		
IC82	EPROM	3(2-3)	28,1*	14		
IC83	EPROM	3(2-3)	28,1*	14		
IC84	EPROM	3(2-3)	28,1*	14		
IC85	EPROM	3(2-3)	28,1*	14		
IC86	4164	3(2-3)	8	16		
↓	↓	↓	↓	↓		
IC121	4164	3(2-3)	8	16		

\* depends on type of EPROM used

Table 2: Continued from page 56.

and a floppy-disk bootstrap-loader routine.

**RAM Configuration**

The onboard user-programmable memory of the MPX-16 consists of one to four 64K-byte banks of nine type-4164 64K-bit dynamic RAM devices. Within the 8088 processor's 1-megabyte address space, the

MPX-16 must have at least the lowest 64K-byte bank of RAM (bank 0) installed from hexadecimal addresses 00000 to 0FFFF so that interrupt-routine pointers can reside in the locations from hexadecimal 00000 to 003FF. The RAM chips are required to have an access time of no more than 200 ns and a cycle time of 335 ns. Single-bit parity generation and

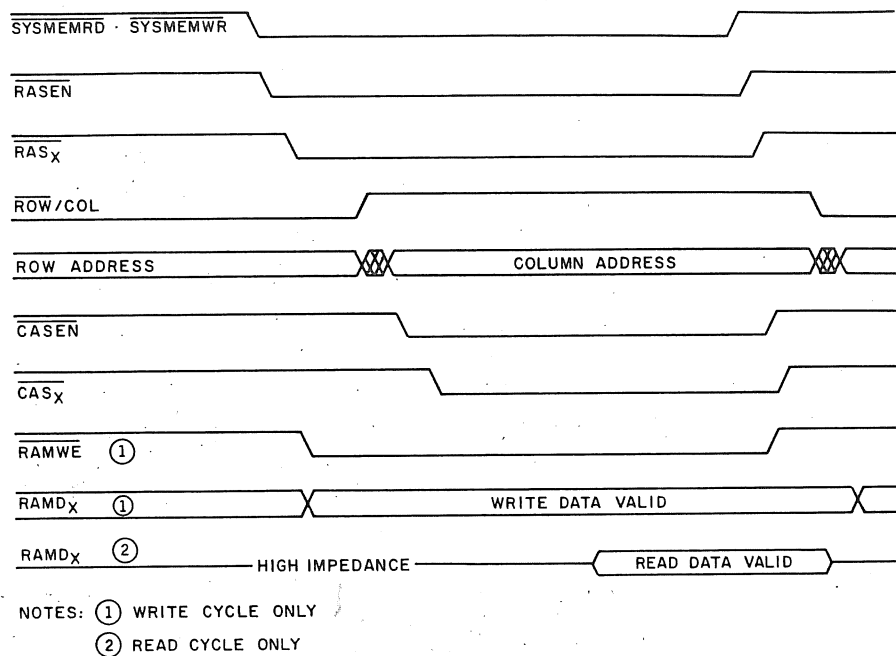


Figure 4: Timing diagram for the memory operation of the MPX-16.

error detection are provided for all of the 256K-byte onboard memory.

The RAM address-decoding logic is shown in section 2 of the schematic diagram (figure 2), and the read/write control logic, address multiplexers, RAM array organization, and parity-generation/error-detection logic are shown in section 3 (figure 3). The onboard RAM address space is selected when two conditions are met: the two high-order address bits SYSA18 and SYSA19 are both low and a memory-refresh cycle is not in progress (shown by DMACK0, the DMA-channel-0-acknowledge signal, being low). Because of this decoding scheme and the fact that the MPX-16 power-on self-test routine automatically clears memory and determines its size, the full 256K bytes of onboard RAM should be installed before you put in additional RAM in the I/O-expansion slots.

### Dynamic Memory Refresh

Because dynamic RAM devices are used for the MPX-16's programmable memory, a memory-refresh circuit is necessary to prevent data stored in them from being lost. The 64K-bit dynamic RAMs require that all 256 rows be addressed every 4 ms (milli-

seconds) to maintain the integrity of the data (the columns need not be individually addressed); one row must be addressed for refreshing approximately every 15  $\mu$ s (microseconds). To eliminate having a separate bus-arbitration circuit for this purpose, memory refresh is carried out by executing a DMA (direct memory access) read cycle in a "RAS-only" manner—that is, using only the row-address-strobe inputs of the memory chips. Because refresh is controlled by the DMA circuit, there can never be a conflict between the refresh operation and the processor's memory references.

The DMACK0 signal goes active-low to indicate to the rest of the system that a refresh cycle is in progress. This signal disables the RAM-decoding circuitry, prevents the generation of a CAS (column-address-strobe) signal, and enables the REFRESHRAS input at IC64 pin 2 (in section 3, figure 3). When the system bus master, the 8237A DMA controller (IC48 in section 1, printed last month), drives the SYSMEMRD or SYSMEMWR (system memory write) line low, the output at IC 64 pin 3 also goes low. This causes the outputs of the four two-input gates (sections

of IC81: positive AND gates used as negative ORs), whose other input comes from IC74, to go low. These outputs form the RAS inputs for each of the four RAM banks. (The 33-ohm series resistors in the RAS control lines are there to reduce ringing on the lines, which might latch a new row address during the middle of the memory cycle.) The DMA controller is set up by the system-initialization software to automatically increment the address counter after each refresh-memory cycle.

### Memory Operation

A diagram of typical timing cycles for normal memory-read and write operations is shown in figure 4. For either type of memory cycle, the read/write-control logic is enabled when the DRAMSEL signal is low, indicating that two conditions have both been fulfilled: a valid address (lower than hexadecimal C000) has been latched on the system bus and the DMACK0 signal (from IC63, pin 6) is low (indicating that a refresh cycle is not in progress).

A memory cycle is initiated when the output of an AND gate (IC57 pin 3 in section 3) goes low, indicating that either the SYSMEMRD or the SYSMEMWR control signal has been driven low by the system bus master. The RASEN (RAS enable) signal at IC67 pin 11, produced from the output of IC57 ORed with DRAMSEL, enables the 1-of-4 (2-to-4-line) decoder IC74 to select one of the four lines RAS0, RAS1, RAS2, or RAS3 (row-address-input enable for each of the four banks—which one is selected depends on the logic levels of the SYSA16 and SYSA17 address lines) and sets up the row address on the multiplexed memory-address lines RAMA0 through RAMA7. A chain of Schmitt-trigger inverter sections, IC63 and IC66, delays the active-low output from IC57 pin 3 by five gate-delay periods, holding the row-address condition until the type-4164 memory chips have had sufficient time to latch the address bits.

When the ROW/COL signal goes high (column addressing active), the

multiplexers change the contents of RAMA0 through RAMA7 to the column address derived from the system-address-bus lines SYSA8 through SYSA15. The  $\overline{\text{CASEN}}$  signal enables the B outputs of the 1-of-4 decoder IC74, which drives the CAS-control line for one of the memory banks.

The data-input and data-output lines of each RAM chip are tied together onto a common bidirectional memory-data line. The entire RAM array is isolated from the system data bus by bus transceiver IC53, which is enabled by the  $\overline{\text{DRAMSEL}}$  signal during nonrefresh memory cycles, allowing data to pass between the RAM array and the system data bus.

The direction of data flow is controlled by the output of IC67 pin 6, a logical OR of  $\overline{\text{DRAMSEL}}$  and  $\overline{\text{SYSTEMMRD}}$ . During memory-read cycles, this signal is low, causing the data on the memory data bus to be transferred to the system data bus. During memory-write cycles, the

direction signal is high and the data flow is from the system data bus to the memory data bus.

### Parity Checking

Until the introduction of the IBM Personal Computer, memory with parity checking was rare in personal computers but had been used for years in larger computers. IBM did well to copy this feature of larger machines, since the constant decreases in memory prices have made it more and more cost-effective. The MPX-16 also incorporates parity memory for increased system reliability and user confidence. Parity generation and checking in the MPX-16 are provided by a 74LS280 parity generator (IC59) and a type-D flip-flop (IC58), shown in figure 3 on page 54.

During a memory-write cycle, the PARITYOUT signal presented to pin 8 of IC59 is low, because the output of IC57 (an AND gate) is disabled by the low state of the active-high

SYSTEMMRD signal. The parity bit computed by IC59 from the eight RAM data lines is written into the parity-bit memory chip (the ninth one of each bank) for the bank being addressed.

When a memory-read cycle occurs, the output of IC57 is enabled, and the parity bit that was previously written for each byte is routed to IC59 and used to check for an error in the parity value. When the rising edge of the signal from IC67 pin 6 ( $\overline{\text{DRAMSEL}}$  OR  $\overline{\text{SYSTEMMRD}}$ ) is detected by the flip-flop IC58, it latches parity value.

When no parity error is present, the odd-parity output ( $\Sigma O$ ) of the 74LS280 will be a logic high state. When an error does occur, the odd-parity output will be low. The  $\overline{\text{PARERR}}$  signal from IC58 is sent to the NMI (nonmaskable interrupt) logic and will remain set until the next memory-read cycle for which no parity error occurs, or until the flip-flop is preset by a low state on the  $\overline{\text{CLRPAR}}$  (clear parity) line, IC58

Circle 386 on Inquiry card.

## Porta Sys™ - A Z8 Microprocessor System

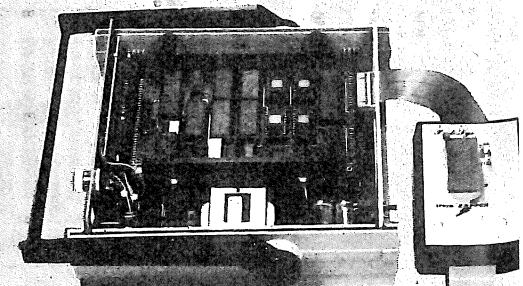
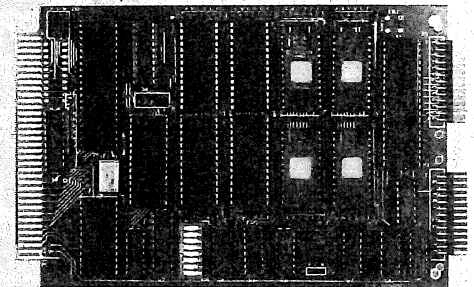
by  ProtoSys

Development System, General Purpose Controller,  
OEM Dedicated Controller

- Zilog Z8 with built in tiny basic interpreter, low power
- 24 programmable I/O lines
- RS 232 - compatible with most terminals
- 110 - 9600 baud switch selectable
- Memory selectable for 4K by 8 RAM, 2716 EPROM (5V) or 2732 EPROM
- Memory capacity up to 36K on board - 480K expandable
- All expansion lines buffered for system Buss operations
- 72 pin double row (36 pin per side) .100 in. spacing gold plate over nickel
- Mainframe - 3 card capacity, +5 VDC, ±12 VDC
- AC input 120V 60Hz; 220V 60Hz available

Z8 CPU Card w/4K RAM (4.5 in. x 6.75 in.)	PR-1000	\$195.00
Memory Expansion ICs for the CPU Card (Per 4K)	EX-6132	35.00
Mainframe	PR-1001	149.00
Eprom Zapper	PR-1002	79.00
Optional Zero Insertion Socket		8.00
9 Slots Motherboard (5 in. x 12 in.) with 18 slots expansion capability	PR-1003	149.00
Ram-Eprom Expansion Board with 16K Ram	PR-1004	249.00
16K Cmos Ram Expandable to 32K with battery Backup	PR-1005	195.00
Expansion of Cmos Ram board to 32K	EX-6116	99.00
AD/DA Converter-Amplifier with I/O Board	PR-1006	149.00
Switching Power Supply with (SIZE: 1 in. H x 2.5 in. W x 3.5 in. D) +5v @ 5amps, +12v @ 1amp, -12v @ 1amp	PR-1010	99.00
Linear Power Supply with 5 outputs (Size: 4.5 in. W x 4.5 in. H x 10 in. D) +5v @ 3A, -5v @ 3A, +12v @ 1A, -12v @ 1A, +12v @ 1A	PR-1015	99.00

Availability-Stock to 2 weeks, California Residents-  
please add 6.5% Sales Tax, Shipping and Handling Charges: UPS - \$5.00 UPS Blue Label - \$8.00  
C.O.D. - Add \$5.00 in addition to above



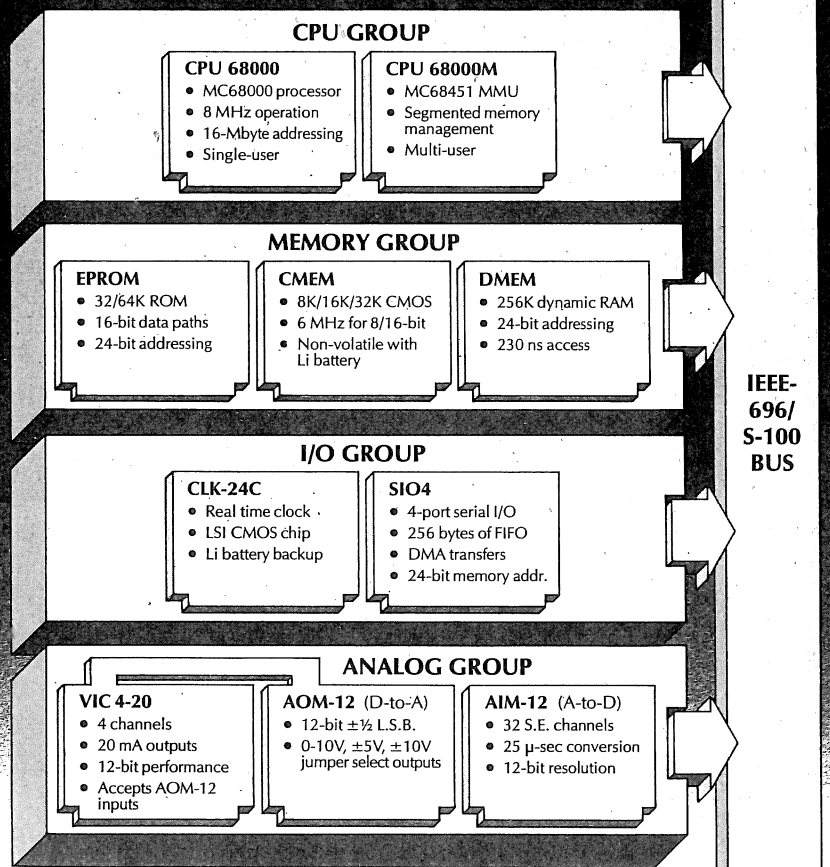
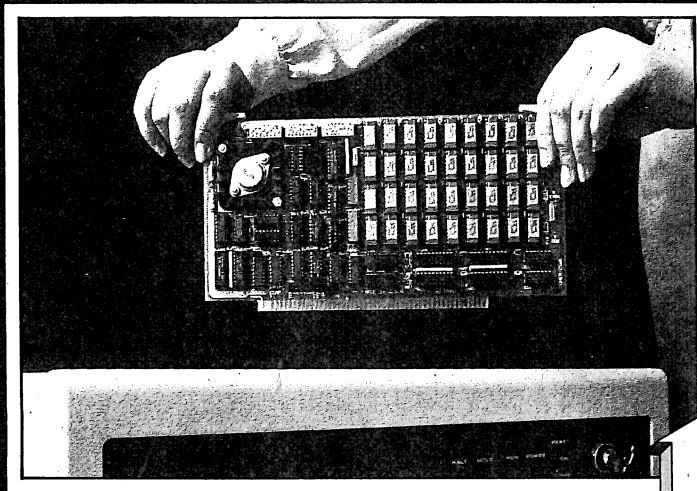
 ProtoSys

P.O. Box 23698 • San Jose, CA 95123 • Tel: (408) 226-2131

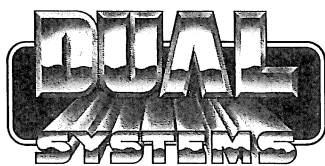


# board the bus

## INDUSTRIAL QUALITY BOARDS FOR THE IEEE-696/S-100 BUS



IEEE-696/S-100 BUS



Sales representatives in most metropolitan areas.

OEM and Dealer pricing is available.

system reliability/system integrity

2530 San Pablo Avenue • Berkeley • CA 94702 • (415) 549-3854 • 172029 SPX

pin 4. Software called through the interrupt vector then notifies the user of a memory error.

### Interrupt Advantages

The versatility of any computer system is enhanced if its processing can be interrupted by outside events so that it doesn't have to continually keep track of what is going on in the outside world. The MPX-16 supports an interrupt system with 16 levels of interrupt priority, for a high degree of versatility in dealing with the external environment.

Perhaps the major advantage to using interrupts is the increase in throughput resulting from their use in handling the system I/O functions. Instead of the processor's spending a great deal of time checking to see if I/O devices are ready to transfer data or waiting for them to be ready, in an interrupt-driven system the processor can continue executing its application program, only suspending execution to attend to an I/O device when the device signals that it is actually ready for data transfer.

Although it can be tougher to debug, interrupt-driven software is generally more compact and efficient than that which must explicitly check I/O devices by polling or waiting. But we don't have space here to discuss the software aspects at length.

### MPX-16 Interrupt Logic

The interrupt structure of an 8088-based system revolves around an interrupt-vector lookup table located low in system memory from location hexadecimal 00000 through 003FF. Each interrupt vector in the table consists of 4 bytes that point to the address of an interrupt-service routine. Up to 256 interrupt vectors, numbered from decimal 0 to 255, can be used to specify starting addresses of interrupt routines anywhere in the 8088's 1-megabyte address space. Each of the interrupt vectors is assigned an interrupt-type number that points to its location in the lookup table. The type number multiplied by 4 equals the offset of the vector from location 00000.

The highest priority interrupt is the

nonmaskable-interrupt (NMI) input at pin 17 of the 8088 microprocessor, IC36. This signal is an internally synchronized edge-triggered input which causes a predefined "type-2" interrupt that "vectors" (passes control) to the location identified by the eighth position in the table. Although the 8088's NMI input is not directly maskable by software, the MPX-16 contains extra hardware that can mask the interrupt signal before it gets to the 8088, given proper setup by the soft-

ware. The NMI input is used to report system memory-parity errors and errors from the I/O-channel expansion slots.

The next 15 levels of interrupts are implemented by two Intel 8259A programmable interrupt controllers (PICs), IC35 and IC62 in section 1 of the schematic diagram, which was printed in last month's article. One of the programmable interrupt controllers, IC35, serves as the master and resides on the multiplexed local

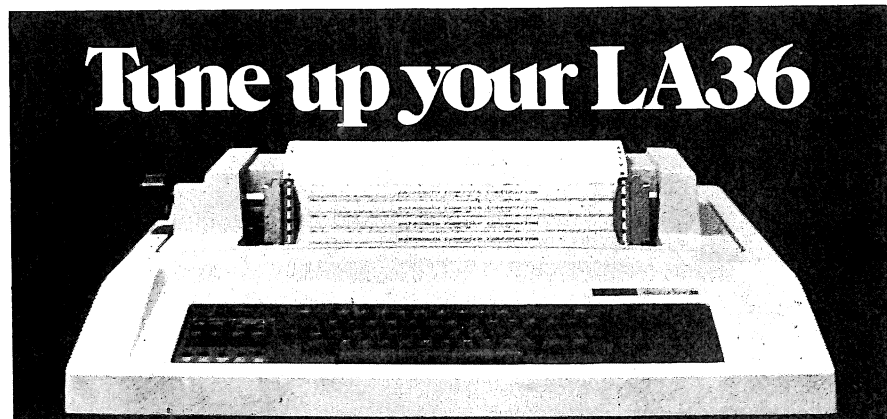
bus shared with the processors. The other, IC62, is a slave device to IC35 and resides on the system bus. The master/slave configuration is set up during the initialization process by software.

All of the peripheral devices residing on the system board, such as the serial and parallel I/O-port controllers, are supported by interrupt-request lines on the 8259A PICs. Interrupt requests from the PICs drive the INTR input of the 8088 (pin 18). This signal is a level-triggered input that can be internally masked by a software instruction. Interrupts requested by the INTR input do not have predefined vector types as does the nonmaskable interrupt. In the case of the 8259A PIC, a consecutive block of eight interrupt types, one for each of the eight interrupt-request input pins, is programmed into the device by the system software as part of the initialization process when the power is turned on.

### Handling Interrupts

When an interrupt signal is received on the 8088's INTR pin, the processor enters an interrupt-acknowledge cycle that is used to determine the interrupt type. First the processor preserves what it was doing when interrupted: the state of the machine is saved by pushing the contents of the flag register, code-segment register, and instruction pointer onto the stack. In addition, the interrupt flag is cleared, disabling further interrupts from occurring until the processor is ready for them. (If nested interrupts are desired, the interrupt-service routine must re-enable the processor to receive interrupts, while ensuring that the most crucial tasks are not delayed until too late. The programming is not easy.)

In the next step, the 8288 bus controller (IC51) issues two interrupt-acknowledge pulses on the INTA line. The first pulse signals the 8259A PICs that the interrupt request is being granted. When the second INTA pulse is issued, the 8-bit code for the interrupt type is placed onto the data bus. The value of the interrupt type is multiplied by 4 (simply by being shifted left 2 places) to determine the

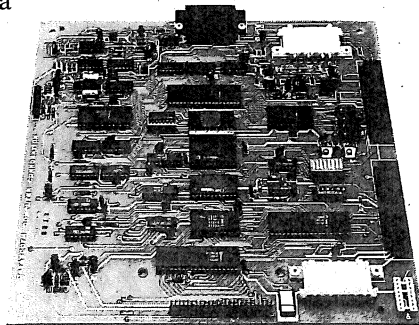


## The DS120 Terminal Controller makes your LA36 perform like a DECwriter® III.

The Datasouth DS120 gives your DECwriter® II the high speed printing and versatile performance features of the DECwriter® III at only a fraction of the cost. The DS120 is a plug compatible replacement for your LA36 logic board which can be installed in minutes. Standard features include:

- 165 cps bidirectional printing
- Horizontal & Vertical Tabs
- Page Length Selection
- 110-4800 baud operation
- 1000 character print buffer
- X-on, X-off protocol
- Self Test
- RS232 interface
- 20 mA Current Loop interface
- Top of Form
- Adjustable Margins
- Double wide characters
- Parity selection
- Optional APL character set

Over 5,000 DS120 units are now being used by customers ranging from the Fortune 500 to personal computing enthusiasts. In numerous installations, entire networks of terminals have been upgraded to take advantage of today's higher speed data communications services. LSI microprocessor electronics and strict quality control ensure dependable performance for years to come. When service is required, we will respond promptly and effectively. Best of all, we can deliver immediately through our nationwide network of distributors. Just give us a call for all the details.

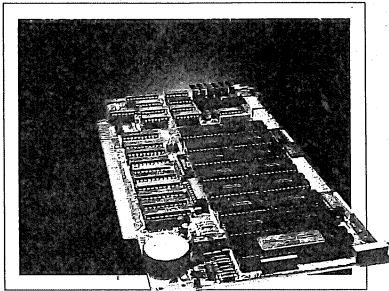


**datasouth computer corporation**

4216 Stuart Andrew Blvd. • Charlotte, North Carolina 28210 • 704/523-8500

# THE ULTIMATE IEEE/S-100 MEMORY WOULD...

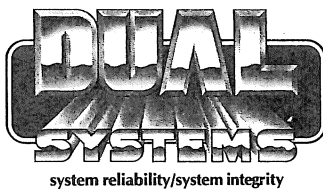
- BE NONVOLATILE**, holding data for up to eight years with the power off.
- RUN AT 6MHZ** without wait states.
- HAVE EXTENDED 24-BIT ADDRESSING** and bank select.
- HAVE DYNAMICALLY MOVABLE WRITE PROTECT AREAS** to prevent accidental erasure of programs and critical data.
- GENERATE POWER-FAIL** interrupts for orderly system shutdown & power failure recovery.



## CMEM

**AVAILABLE NOW FROM DUAL SYSTEMS**, the CMEM memory boards combine high-speed CMOS memories with a new 5-8 year lithium battery. The CMEM offers the nonvolatility of an EPROM board while retaining the instant writability of a high-speed read/write RAM. These industrial grade boards are subjected to a 168-hour burn-in and a 1000-cycle power interruption test to insure data retention and the highest degree of reliability possible.

CMEM-32K, 32K Bytes \$695  
 CMEM-16K, 16K Bytes \$595  
 CMEM- 8K, 8K Bytes \$495



**DUAL SYSTEMS CORPORATION**  
 2530 San Pablo Avenue • Berkeley  
 CA 94702 • (415) 549-3854 • 172029 SPX

Priority Level	Source	Signal Name	Description
0	NMI	PARERR or IOCHNLERR	memory-parity or I/O-channel errors
1	master	TIMEINTR	real-time clock
2	slave	SIO0RXRDY	serial-channel-A receive ready
3	slave	SIO1RXRDY	serial-channel-B receive ready
4	slave	SIO0TXRDY	serial-channel-A transmit ready
5	slave	SIO1TXRDY	serial-channel-B transmit ready
6	slave	PRINTRDY	printer-port ready
7	slave	FDCINT	floppy-disk-controller interrupt
8	slave	NPXINT	numeric-processor-extension (8087) interrupt
9	slave	PIoint	parallel-I/O-port interrupt
10	master	IRQST2	I/O-channel interrupt
11	master	IRQST3	I/O-channel interrupt
12	master	IRQST4	I/O-channel interrupt
13	master	IRQST5	I/O-channel interrupt
14	master	IRQST6	I/O-channel interrupt
15	master	IRQST7	I/O-channel interrupt

**Table 3:** Interrupt signals in the MPX-16, listed in order of priority. Priority-0 errors go through the 8088's NMI input, while the rest go through either the master or the slave 8259A interrupt controller.

address of the interrupt vector. Program control is then transferred to the address contained in the 4 bytes of the interrupt vector. Note that the first 2 bytes are used as the new instruction pointer (lower 16 bits of the address) and the second 2 bytes are used to form the new code-segment register (upper 16 bits). When the interrupt-service routine has completed execution, control is returned to the main program via an IRET instruction, which pops the original flag and address information off the stack into the active registers. The main program then resumes execution where it left off, with the interrupts reenabled.

### Interrupt Priorities

The organization of the system-board interrupt-priority scheme is shown in table 3. The highest priority hardware interrupt, as we've seen, is the NMI, which is caused by memory-parity or I/O-channel errors. The highest priority maskable interrupt is from the IR0 input of the master 8259A PIC, which is generated by the real-time clock. The next eight interrupts in priority come from peripheral devices attached to the slave 8259A PIC, which is in turn attached to the IR1 input of the master 8259A.

The last six interrupts come from the I/O-expansion-channel connectors. These interrupts drive the IR2 through IR7 inputs of the master 8259A.

Two other points concerning the 8259A PICs should be noted. Although a priority has been assigned to each interrupt-request input of the 8259A PICs, these can be changed by the system software. In addition, the 8259A PICs can even be used to implement a polled I/O system. (These devices provide considerable flexibility for handling I/O servicing at a relatively low hardware cost.) And finally, all of the interrupt-service routines in the MPX-16 system can be invoked via a software-interrupt instruction that specifies the interrupt type. This can be useful in starting an I/O device and in debugging the interrupt routines.

### I/O-Expansion Channels

The MPX-16 system board supports an I/O-expansion channel that represents an extension of the system bus. Peripheral devices are connected through several 62-pin card-edge connectors like those used by peripherals designed for the IBM Personal Computer. The MPX-16 computer system

Pin	Signal Name	Pin	Signal Name
A01	IOCHNLERR	B01	GND
A02	SYSDAT7	B02	BRESET
A03	SYSDAT6	B03	V <sub>cc</sub>
A04	SYSDAT5	B04	IRQST2
A05	SYSDAT4	B05	-5 V DC
A06	SYSDAT3	B06	DMARQST2
A07	SYSDAT2	B07	-12 V DC
A08	SYSDAT1	B08	IOCHLDRQST
A09	SYSDAT0	B09	+12 V DC
A10	IOCHNLRDY/WAIT	B10	GND
A11	SYSAEN	B11	SYSTEMMWR
A12	SYSA19	B12	SYSTEMMRD
A13	SYSA18	B13	YSIOWR
A14	SYSA17	B14	YSIORP
A15	SYSA16	B15	DMACK3
A16	SYSA15	B16	DMARQST3
A17	SYSA14	B17	DMACK1
A18	SYSA13	B18	DMARQST1
A19	SYSA12	B19	BDMACK0
A20	SYSA11	B20	BSYSCLK0
A21	SYSA10	B21	IRQST7
A22	SYSA9	B22	IRQST6
A23	SYSA8	B23	IRQST5
A24	SYSA7	B24	IRQST4
A25	SYSA6	B25	IRQST3
A26	SYSA5	B26	DMACK2
A27	SYSA4	B27	TCNT
A28	SYSA3	B28	SYSALE
A29	SYSA2	B29	V <sub>cc</sub>
A30	SYSA1	B30	BSYSCLK1
A31	SYSA0	B31	GND

**Table 4:** Pin/signal relationships in the I/O-expansion connectors. These assignments are compatible with those in the expansion slots of the IBM Personal Computer. Many of the system control signals are buffered before being fed to these connectors.

can potentially contain 1 megabyte of memory and still have spare expansion slots for special-purpose I/O modules, which might include videotex decoders, process-control or data-acquisition interfaces, or local-network interfaces.

The standard MPX-16 system board has five expansion connectors installed in alternating positions, effectively located on 1-inch center-to-center spacings. An additional four connectors can be installed between them, if needed; the resulting nine connectors will be on half-inch center-to-center spacing. Spacing on 1-inch centers is usually required for disk controllers and I/O boards. Memory boards, on the other hand, will generally fit in half-inch spacing.

The I/O-expansion channel has been designed to be pin-for-pin hardware-compatible with the IBM

Personal Computer (model 5150). The IBM PC bus was chosen, as I explained last month, to take advantage of the expected proliferation of IBM-PC-compatible peripheral-adaptor modules and expansion memories. However, because the MPX-16 system board already supports most of the peripheral I/O functions that would ordinarily be added to the IBM computer, the I/O-expansion slots are available for new uses.

Table 4 lists the signal connections to the pins of the I/O-expansion connectors. All signal lines in the I/O channel are compatible with LS-TTL (low-power Schottky-diode-clamped transistor-transistor logic) signals. Brief descriptions of each group of lines follow.

**Oscillator Clock (BSYSCLK1):** This is a buffered version of the main

system timing clock. It runs at a frequency of either 14.31818 MHz or 15.0 MHz, depending on which crystal is installed. It has a 50 percent duty cycle.

**System Clock (BSYSCLK0):** This is a buffered version of the system processor clock. It runs at a frequency that is one-third that of SYSCLK1. It has a 33 percent duty cycle (high for one-third of the cycle, low for two-thirds).

**System Reset (BRESET):** This is a buffered version of SYSRES, which is active on power-up. It is synchronized to the falling edge of the SYSCLK0 waveform and is used for initialization of all system hardware components.

**Address Latch Enable (SYSALE):** This signal is used to indicate the presence of a valid address on the system bus. The falling edge of SYSALE is normally used to latch the address. This signal is generated by the 8288 bus controller during bus cycles initiated by one of the local-bus masters. The system-address enable signal, SYSAEN, should be used to enable this signal in the I/O channel.

**System Address Enable (SYSAEN):** This line, when active-low, indicates that one of the system coprocessors (either the 8088 or the 8087) has control of the system bus. When SYSAEN is high, the 8237A-5 DMA controller has control of the system bus and drives the system address, system memory, and I/O-read/write lines.

**I/O Channel Ready (IOCHNLRDY/WAIT):** This line is normally high. When a slow I/O device or expansion memory board decodes a valid address, this line should be driven low, causing the flip-flops IC25 and IC33 to insert wait states into the bus cycle until the slow device has completed its cycle. (To avoid conflict with memory refresh, this line should never be held low for more than 1 or 2  $\mu$ s.)

**System Memory Read (SYSTEMMRD):** This control line is used to gate the memory-device data buffers onto the system data bus during memory-read cycles initiated by either the processor or DMA controller.



System Board Peripheral Device	Base Address (hexadecimal)
8237A-5 DMA controller	000
8272 floppy-disk controller	020
DMA page registers 0 and 1	040
DMA page register 2	060
DMA page register 3	080
floppy-disk-drive motor-on register	0A0
parity-error flip-flop clear	0C0
spare (reserved)	0E0
spare (reserved)	100
8259A interrupt controller—slave	120
8259A interrupt controller—master	140
console serial I/O port	160
auxiliary serial I/O port	180
8255A-5 parallel I/O	1A0
8155H-2 parallel I/O and timer	1C0
8253-5 counter-timers	1E0

Table 5: Base addresses of the I/O-device-control registers.

**System Memory Write (SYSMEMWR):** This control is used to store the data present on the system data bus into the selected memory location during memory-write cycles initiated by either the processor or DMA controller.

**System I/O Read (SYSIORD):** This control line is used to gate the selected I/O device to accept the data present on the system data bus during I/O-read cycles initiated by either the processor or the DMA controller.

**System I/O Write (SYSIOWR):** This control line tells the selected I/O device to accept the data present on the system data bus. It is active in I/O-write cycles initiated by either the processor or DMA controller.

**I/O-Channel (Parity) Error (I/OCHNLERR):** This signal, when enabled by the system software, will cause an interrupt via the NMI input of the 8088 processor. It is normally used to alert the processor to a parity error in memory devices residing in the I/O channel.

**System Address Bus (SYSA0 through SYSA19):** These lines form a 20-bit system address bus, which can

address up to 1 megabyte of memory. SYSA0 represents the least significant address bit (LSB), and SYSA19 represents the most significant address bit (MSB). These lines can be driven either from the processor or from the DMA controller and are considered to be active-high.

## The MPX-16 computer system can potentially contain 1 megabyte of memory and still have spare expansion slots.

**System Data Bus (SYSDAT0 through SYSDAT7):** These lines form the 8-bit system data bus and can be driven by the processor, memory devices, or I/O devices. They are bi-directional and are considered to be active-high. SYSDAT0 is the LSB, SYSDAT7 the MSB.

**I/O Channel Interrupt Requests (IRQST2 through IRQST7):** These lines are prioritized interrupt-request lines, with IRQST2 having the highest priority and IRQST7 the

lowest priority. The lines are edge-triggered and active-high; however, the request signal must be maintained in the high state until the interrupt request has been acknowledged. The interrupt-service routine written for each particular device in use must usually do this.

**DMA Requests (DMARQST1 through DMARQST3):** These lines are prioritized DMA-request lines, with DMARQST1 having the highest priority and DMARQST3 the lowest priority. The lines are active-high and must be held high until the corresponding DMACKx line goes active-low. DMARQST2 is used by the system-board floppy-disk controller and is included in the I/O channel only for compatibility with the IBM Personal Computer. These lines are typically used by peripheral devices such as disk controllers to request DMA service.

**DMA Acknowledge Lines (DMACK1 through DMACK3):** These lines are used to acknowledge DMA requests generated by the DMARQSTx lines.

**DMA Acknowledge 0 (BDMACK0):** This is a buffered DMACK0 line and signifies that a DMA-controlled dynamic-memory-refresh cycle is in progress.

**DMA Terminal Count (TCNT):** This signal is active-high when any of the four DMA channels reaches a terminal count. The corresponding DMA-acknowledge line should be used in conjunction with the TCNT signal.

**Peripheral Power:** +5 volts (V) DC  $\pm 5\%$ , logic ground, +12 V DC  $\pm 5\%$ , -12 V DC  $\pm 10\%$ , and -5 V DC  $\pm 10\%$  power connections are all provided in each expansion connector.

### I/O-Decoder Logic

The MPX-16 computer system contains a variety of onboard, high-performance peripheral devices: direct support for all of the major I/O functions needed to form a complete microcomputer system, as listed in table 1 on page 44.

All of the system-board I/O peripherals are addressed or selected by the 4-to-16 decoder IC52 (shown in

section 2, figure 2 on page 48). This decoding logic maintains addressing compatibility with IBM Personal Computer peripherals by using the system-address-bus line SYSA9 to determine whether the peripheral device being selected is on the main circuit board or off it. A low state on the SYSA9 line enables one of the strobe inputs of the decoder; the other strobed input is enabled if one of the local bus masters has control of the system bus, indicated by a low state on  $\overline{88AEN}$ . When an I/O-device interface chip is selected by this decoded address and either the  $\overline{SYSIOR}$  or  $\overline{SYSIOWR}$  line is active, an I/O bus cycle is performed. During DMA cycles the I/O decoder is disabled.

The base address for each of the system-board I/O devices is shown in table 5 on page 76. The total number of address-space locations used by each peripheral device varies; this will be discussed in more detail next month in part 3.

#### Next Month:

If you've followed everything in this second installment on the Circuit

Cellar MPX-16 computer system, you're doing well. In the January article I'll fill you in on the serial and parallel I/O ports, counters, floppy-disk controller, and operating-system BIOS, among other topics. ■

#### Acknowledgments

Thanks to Jim Norris, George Martin, and Linda Spencer of Owl Electronic Laboratories for their contributions to this project.

Thanks to Mark Dahmke and Gordon Heins for their help with the documentation.

Thanks to Bill Morello and his staff at Techart Associates for their careful work in drawing the schematic diagrams.

**Editor's Note:** Steve often refers to previous Circuit Cellar articles as reference material for each month's current article. Most of these past articles are available in reprint books from BYTE Books, McGraw-Hill Book Company, POB 400, Hightstown, NJ 08520.

Ciarcia's Circuit Cellar, Volume I, covers articles that appeared in BYTE from September 1977 through November 1978. Ciarcia's Circuit Cellar, Volume II, contains articles from December 1978 through June 1980. Ciarcia's Circuit Cellar, Volume III, contains the articles that were published from July 1980 through December 1981.

To receive a complete list of Ciarcia's Circuit Cellar project kits available from the Micromint, circle 100 on the reader service inquiry card at the back of the magazine.

#### References

1. Cantrell, Thomas. "An 8088 Processor for the S-100 Bus." Part 1, September 1980 BYTE, page 46. Part 2, October 1980 BYTE, page 62. Part 3, November 1980 BYTE, page 340.
2. Ciarcia, Steve. "Build the Circuit Cellar MPX-16 Computer System, Part 1." November 1982 BYTE, page 78.
3. Ciarcia, Steve. "Ease into 16-Bit Computing." Part 1, March 1980 BYTE, page 17. Part 2, April 1980 BYTE, page 40. Reprinted in Ciarcia's Circuit Cellar, Volume II. Peterborough, NH: BYTE Books, 1982, page 171.
4. Ciarcia, Steve. "The Intel 8086." November 1979 BYTE, page 14. Reprinted in Ciarcia's Circuit Cellar, Volume II. Peterborough, NH: BYTE Books, 1982, page 120.
5. Component Data Catalog. Santa Clara, CA: Intel Corporation, 1981.
6. iAPX Book. Santa Clara, CA: Intel Corporation, 1981.
7. iAPX 86,88 User's Manual. Santa Clara, CA: Intel Corporation, 1981.
8. Morgan, Christopher L. and Mitchell Waite. 8086/8088 16-bit Microprocessor Primer. Peterborough, NH: BYTE Book 1982.

The following items are available from:

The Micromint Inc.

561 Willow Ave.

Cedarhurst, NY 11516

(516) 374-6793

(for technical information)

(800) 645-3479

(for orders only)

1. MPX-16 single-board computer system: assembled, tested, and burned-in. Includes 64K bytes of RAM, Digital Research CP/M-86 operating system on 8-inch or 5¼-inch floppy disk, CP/M-86 BIOS in EPROM, MPX-16 Technical Reference and User's Manual. Requires power supply and floppy-disk drive.

Single-quantity price.....\$1895

2. MPX-16 single-board computer system, as above, but with 256K bytes of RAM installed.

Single-quantity price.....\$2135

3. MPX-16 single-board computer

system, with 64K bytes of RAM.

In OEM quantities of 100 \$1200 each

4. Complete MPX-16 disk-based system: includes MPX-16 single-board computer, assembled, tested, and burned-in, with 256K bytes of RAM installed, CP/M-86 operating system on 5¼-inch floppy disk, CP/M-86 BIOS in EPROM, power supply, one 5¼-inch single-sided floppy-disk drive, connecting cables, MPX-16 Technical Reference and User's Manual. Enclosure sold separately.

Single-quantity price.....\$2895

5. Unpopulated (blank) printed-circuit board for the MPX-16 computer system: five-layer, screened, and solder-masked. Includes CP/M-86 BIOS in EPROM, MPX-16 Technical Reference and User's Manual.

Single-quantity price.....\$300

6. Digital Research CP/M-86 User's Manual (three-volume set), sold separately.....\$40

7. MPX-16 Technical Reference and User's Manual, sold separately...\$50

8. Enclosure for MPX-16 circuit board.....call for price

\* \* \*

When it becomes available for the MPX-16, Microsoft's MS-DOS operating system may be optionally substituted for CP/M-86.

The MPX-16 is available to OEMs in large quantities either as a circuit board or as a complete system with floppy-disk drives and enclosure. Call the Micromint for prices and delivery information.

For orders within the continental United States, please include \$10 for shipping; overseas orders please include \$30. Residents of New York please include 7 percent sales tax.

## Build the Circuit Cellar MPX-16 Computer System Part 3

*The final installment describing the design of the MPX-16, which is I/O-compatible with the IBM Personal Computer.*

---

Steve Ciarcia  
POB 582  
Glastonbury, CT 06033

---

This month's article is the last of three on the construction of the Circuit Cellar MPX-16 computer, which is built around the Intel 8088 microprocessor. In part 1, I presented an overview of the system and a discussion of the coprocessors and bus structures. Last month, in part 2, I described the memory, interrupt mechanism, expansion bus, and I/O-(input/output) decoding sections. This month I'd like to finish by describing the serial and parallel I/O, counters and timers, the floppy-disk interface, and an overview of certain parts of the CP/M-86 operating system.

Because the MPX-16 is somewhat more complex than the typical Circuit Cellar project, I've had to simplify or

abbreviate my treatment of many details to fit the articles into only three issues of BYTE; to learn some nuances of the individual system parts, you should consult the references I have listed on page 82. (More detailed information on the MPX-16, including timing diagrams and list-

chines. We'll continue the presentation after we review the major features of the MPX-16.

### MPX-16 Features

The Circuit Cellar MPX-16 computer system, shown in photo 1 on page 56, fundamentally consists of a single 9- by 12-inch five-layer printed-circuit board (containing 120 integrated circuits), to which various peripheral devices are attached. Its I/O-expansion bus is completely compatible with that of the IBM Personal Computer but has nine expansion positions instead of five.

The MPX-16 uses the Intel 8088 microprocessor and the optional Intel 8087 numeric coprocessor; the main circuit board has room for 256K bytes of user memory and contains two serial and three parallel I/O ports, a floppy-disk controller, and EPROMs (erasable programmable read-only memories) containing the BIOS (basic input/output system) module of Digital Research's CP/M-86 16-bit disk operating system. The MPX-16 can be expanded by plugging in various circuit boards and interfaces

---

**Most of what you can  
learn about the  
MPX-16 applies also to  
the IBM Personal  
Computer.**

---

ings, is available in the *MPX-16 Technical Reference and User's Manual*, available from The Micro-mint.) But these articles contain enough information for you to understand the basic functions of all the subsystems and how they work together. And most of what you can learn applies also to the IBM Personal Computer and other similar ma-

---

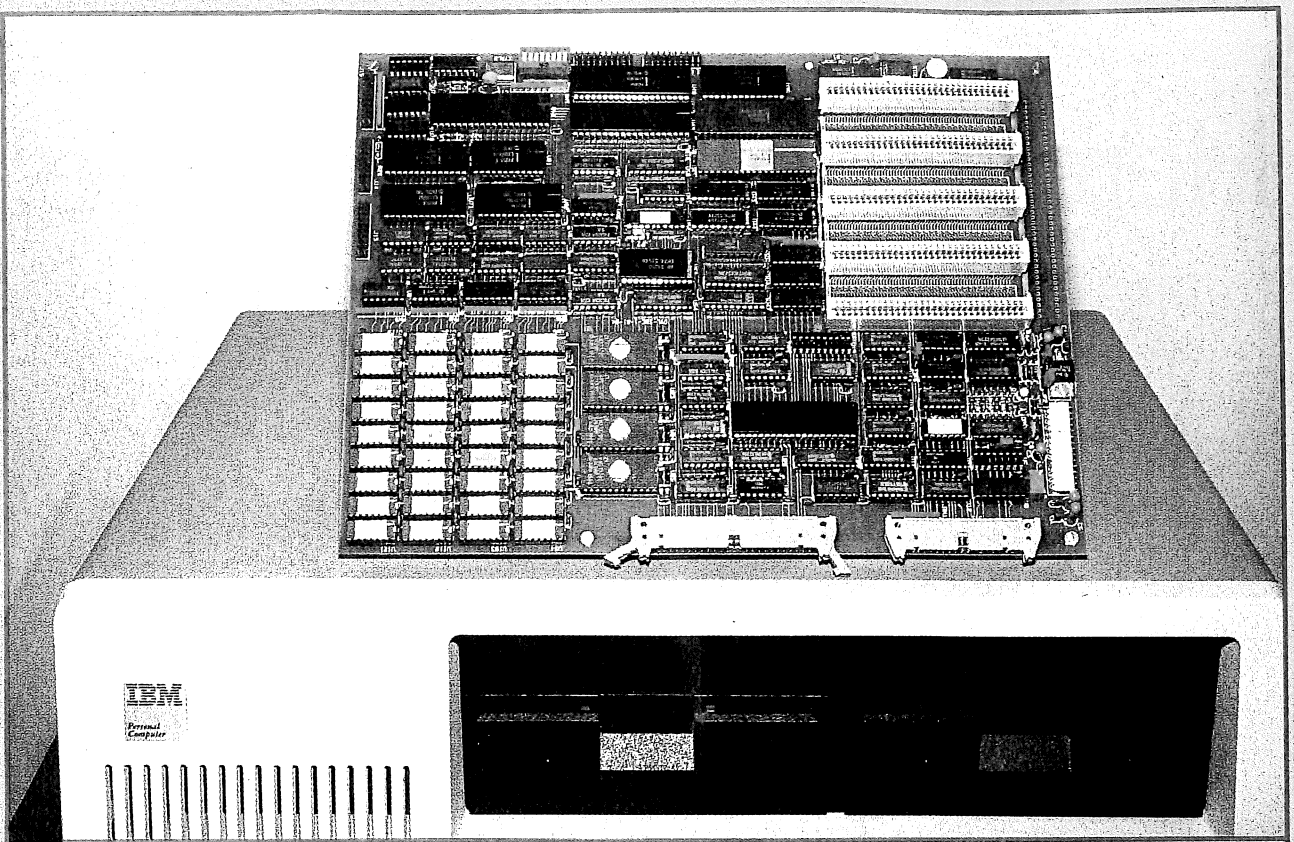
Copyright © 1983 by Steven A. Ciarcia. All rights reserved.

---

*IBM and IBM Personal Computer are trademarks of International Business Machines Corporation.*

*CP/M-86, CP/M-80, and MP/M are trademarks of Digital Research Inc.*

---



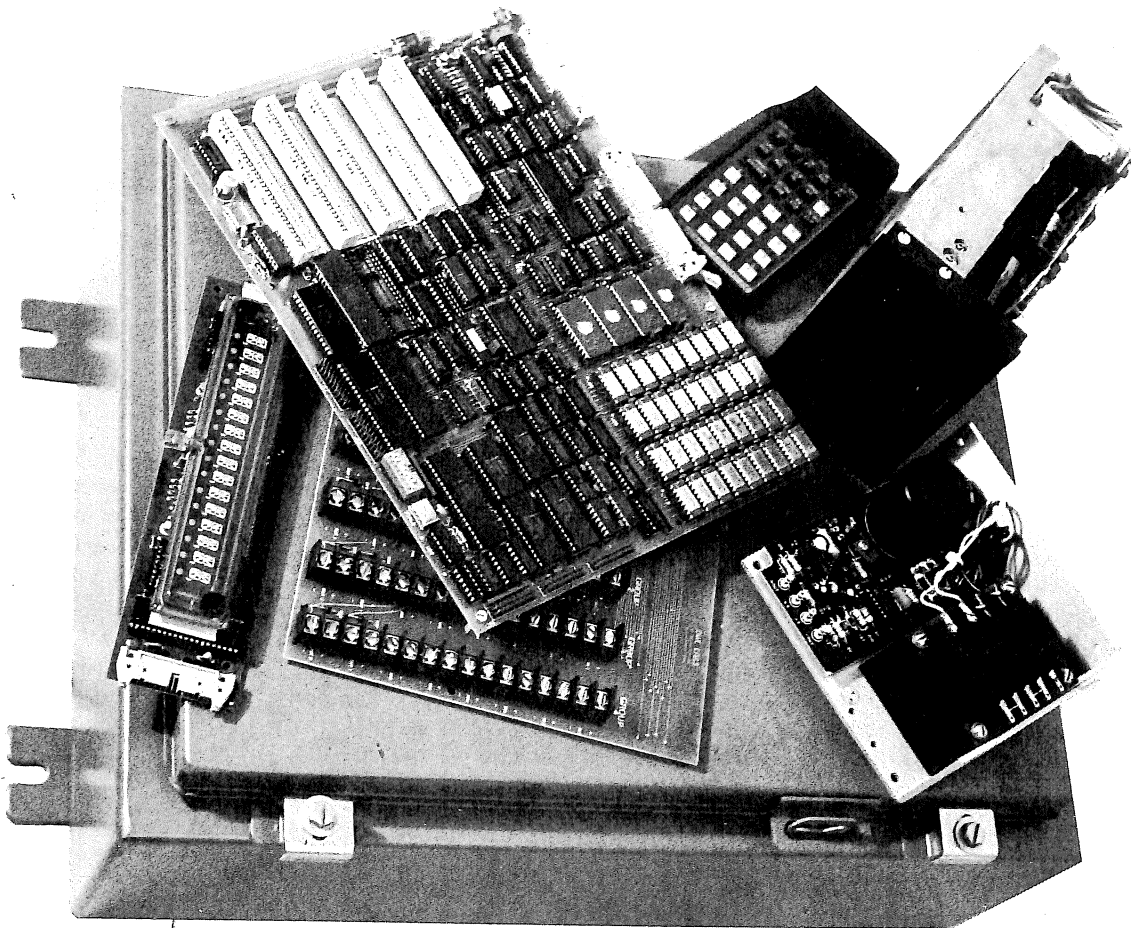
**Photo 1:** The MPX-16 has been designed to be compatible with the IBM Personal Computer in that peripheral devices made for use with the IBM PC can be plugged into the I/O-expansion bus of the MPX-16.



**Photo 2:** This keyboard, made by Key Tronic Corporation (Building 14, Spokane Industrial Park, Spokane, WA 99214), is nearly an exact copy of the keyboard of the IBM Personal Computer.

to provide a full megabyte of user memory and additional external mass storage. A more detailed list of characteristics appears in table 1 on page 59.

The MPX-16 was initially designed to run CP/M-86, but eventually Microsoft's MS-DOS operating system will be available for it, making it possible to run most software written for the IBM Personal Computer on the MPX-16, except software that uses unique features of the IBM machine. The principal difference is this: with the present operating-system BIOS, the MPX-16 communicates with the user through a serially interfaced display terminal instead of through a memory-mapped video display. In theory, you could plug an IBM Display Adapter into one of the expansion slots and connect a serial keyboard (such as the Key Tronic model shown in photo 2) for exact



**Photo 3:** Blasts and flying fluids won't faze an MPX-16 computer protected by a Hoffman heavy-duty NEMA 12 enclosure. (Photo courtesy of Owl Electronic Laboratories Inc.)

hardware emulation.

The MPX-16 is well suited for use as a low-cost 8088-based computer for integration into a complete hardware/software package chiefly because it combines so many functions on a single printed-circuit board. Putting together the hardware of a complete system, you need only add a power supply, a serial video-display or printing terminal, and one floppy-disk drive (either 5¼- or 8-inch). By the time you read this, an enclosure for the circuit board should be available. Many applications need nothing more.

Photo 3 shows the MPX-16 along with all the other components needed to create an industrial control system, including a NEMA 12 (a National Electrical Manufacturers Association specification) enclosure, which should protect it from any environment you'd want to operate it in.

### Parallel I/O Interface

The MPX-16 System Board supports four independent parallel I/O ports; of these, two are dedicated to single purposes and two are available as general-purpose I/O ports. The two dedicated ports use the Intel 8255A-5 programmable peripheral interface (PPI), which appears as IC60 in section 4 of the schematic diagram, figure 1 on pages 60 and 61. The other two ports are implemented using the Intel 8155H-2 chip, IC47 in figure 1, which contains two I/O ports, a 14-bit counter/timer circuit, and 256 bytes of read/write memory. (This memory is not used in the MPX-16. I've written about the 8155 before; see reference 3.) The relationship of the parallel I/O subsystems with the global system bus structures can be seen in the system block diagram (see figure 2 in part 1, November 1982 BYTE, pages 84 through 86). Most

notably, the 8155 communicates over the local address/data bus shared with the processors, while the 8255 receives its data through the buffered resident data bus.

One of the dedicated ports is used during system initialization to read the settings of DIP (dual-inline pin) switches SW1 through SW8, which form an 8-bit system-configuration value. The eight lines of the configuration switches drive the port-A lines of the 8255. These lines are initialized by the power-up software initialization routine as input lines in the 8255's operating-mode 0 (basic input/output). The operating system can read the switch settings via an input instruction from I/O address hexadecimal 1A0. Data bits 0 to 7 in the value obtained contain the respective settings of SW1 to SW8.

The second dedicated parallel port in the 8255 is normally set up as a

# It's easy to make the Qume Connection.

Call the distributor nearest you to get the best quality printer for your microcomputer.

**ibacus Data Services**  
416) 677-9555 Ontario, Canada

**Inacom/ESCOM Division**  
213) 516-7480 CA  
206) 641-4990 WA  
509) 624-1308 WA

**Inthem Systems Corporation**  
115) 342-9182 CA

**Audio Visual Services**  
713) 659-1111 TX  
300) 392-7777 TX Only

**Iohlig and Associates**  
312) 922-7011 MN

**Iutler Associates**  
317) 964-5270 MA

**Iyte Industries**  
300) 972-5948 CA Only  
300) 227-2070 Outside CA

**J&G Distributors, Inc.**  
618) 435-4340 OH  
100) 245-1084 Outside OH  
112) 366-5056 PA  
100) 245-1084 Outside PA

**David Jamison Arlyle Corp.**  
113) 277-4562 CA  
15) 254-9550 CA  
14) 640-0355 CA  
108) 531-5136 HI  
112) 975-1500 IL  
01) 946-9669 NJ  
14) 458-0888 TX  
13) 530-4980 TX

**he Computer Factory**  
12) 687-5000 NY  
14) 793-1300 NY  
12) 896-0700 NY  
16) 248-6700 NY

**omputing Resources, Inc.**  
02) 825-8800 NV

**omputer Mart New Jersey**  
01) 283-0600 NJ

**atamex Ltd.**  
14) 481-1116 Montreal, Canada  
13) 224-1391 Ottawa  
16) 787-1208 Toronto  
04) 684-8625 Vancouver

**ata Systems Marketing**  
02) 833-0061 AZ  
14) 540-2312 CA  
13) 641-2050 CA  
15) 941-0240 CA  
16) 891-8358 CA  
13) 796-2562 CA  
13) 796-2631 CA  
14) 560-9222 CA  
13) 344-7097 CA  
09) 237-8577 CA  
03) 573-5133 CO  
03) 694-1710 CO  
13) 254-2830 MI  
06) 587-1200 MT  
05) 294-1531 NM  
03) 297-8444 OR  
12) 486-2676 PA  
14) 960-1604 TX  
13) 789-0803 TX  
01) 292-6666 UT  
06) 575-8123 WA

**ata Technology Industries**  
15) 638-1206 CA

**ata Terminal Mart**  
30) 270-3737 Alberta  
30) 420-1755 Alberta  
14) 288-1555 Montreal  
02) 469-3782 Nova Scotia  
16) 677-0184 Ontario  
16) 495-2001 Ontario  
16) 245-4780 Ontario  
13) 729-5196 Ontario  
04) 872-8482 Vancouver

**quipment Resources**  
24) 955-0313 GA

**eneral Electric**  
35) 479-6547 AL  
02) 278-8515 AZ  
15) 436-9265 CA  
14) 231-0309 CA  
33) 628-9638 CT  
24) 751-0615 FL  
35) 921-0169 FL  
24) 452-4919 GA  
19) 285-7501 IA  
19) 933-4500 IN  
17) 241-9330 IN  
12) 473-6161 IN  
22) 452-3311 KY  
17) 938-1920 MA  
21) 332-4710 MD  
12) 522-4396 MN

(816) 231-6362 MO  
(314) 965-7115 MO  
(704) 525-3011 NC  
(201) 227-7900 NJ  
(518) 385-4888 NY  
(716) 876-1200 NY  
(513) 874-8512 OH  
(503) 221-5095 OR  
(901) 527-3709 TN  
(214) 243-1106 TX  
(713) 672-3575 TX  
(801) 973-2253 UT

**Gentry and Associates**  
(305) 859-7450 FL

**InterACT Computer Systems**  
(305) 331-7117 FL  
(404) 953-8213 GA  
(704) 552-7502 NC  
(704) 254-1949 NC

**MicroAmerica**  
(213) 327-6030 CA  
(800) 262-4212 CA Only  
(800) 421-1485 Outside CA  
(617) 449-5807 MA  
(800) 343-4411 Outside MA  
(617) 431-7660 MA  
(214) 235-3616 TX  
(800) 442-5847 TX Only  
(800) 527-3261 Outside TX

**National Computer Syndicate**  
(312) 459-6400 IL

**Office Systems, Inc.**  
(704) 374-0822 NC  
(919) 274-8423 NC  
(919) 549-0545 NC

**PAR Associates**  
(303) 371-4140 CO  
(801) 292-8145 UT

**Pioneer Electronics**  
(205) 837-9300 AL  
(305) 859-3600 FL  
(305) 771-7520 FL  
(404) 448-1711 GA  
(301) 948-0710 MD  
(919) 273-4441 NC  
(215) 674-4000 PA

**Pioneer Standard Electronics**  
(312) 437-9680 IL  
(317) 849-7300 IN  
(313) 525-1800 MI  
(612) 935-5444 MN  
(216) 587-3600 OH  
(513) 236-9900 OH  
(412) 782-2300 PA  
(512) 835-4000 TX  
(214) 386-7300 TX  
(713) 988-5555 TX

**Schweber**  
(205) 882-2200 AL  
(408) 496-0200 CA  
(213) 537-4321 CA  
(916) 929-9732 CA  
(213) 999-4702 CA  
(203) 792-3500 CT  
(305) 927-0511 FL  
(305) 331-7555 FL  
(404) 449-9170 GA  
(319) 373-1417 IA  
(312) 364-3750 IL  
(617) 275-5100 MA  
(301) 840-5900 MD  
(313) 525-8100 MI  
(612) 941-5280 MN  
(201) 227-7880 NJ  
(516) 334-7474 NY  
(716) 424-2222 NY  
(216) 464-2970 OH  
(513) 439-1800 OH  
(918) 622-8000 OK  
(215) 441-0600 PA  
(412) 782-1600 PA  
(713) 784-3600 TX  
(214) 661-5010 TX  
(512) 458-8253 TX  
(414) 784-9020 WI

**Tek Aids Industries Inc.**  
(312) 870-7400 IL  
(512) 835-9518 TX

**Terminal Rentals**  
(602) 258-4466 AZ  
(714) 832-2414 CA  
(408) 292-9915 CA  
(213) 637-3413 CA  
(714) 235-9268 CA  
(415) 956-4821 CA

**Terminals Unlimited**  
(800) 336-0423

**Unico**  
(512) 451-0251 TX

**Victor Electronics**  
(617) 481-4010 MA

**Western New York Computer**  
(716) 381-4120 NY

1. designed to use a 5-MHz Intel 8088 microprocessor, which combines a 16-bit architecture with an 8-bit bus interface and has 20-bit addressing capability for up to 1 megabyte of system memory, operating in maximum mode to support multiprocessing
2. optional Intel 8087 math coprocessor
3. onboard space for four 64K-byte banks of dynamic RAM for a total of up to 256K bytes, with parity generation and error detection.
4. sockets for up to 64K bytes of JEDEC 24- or 28-pin standard ROM or EPROM devices
5. two RS-232C serial interface ports
6. two 8-bit general-purpose parallel I/O ports with handshaking control lines
7. one Centronics-compatible parallel printer port
8. four programmable timers (one for a real-time clock, two for data rates, one for memory-refresh requests)
9. four independent DMA (direct memory access) channels
10. sixteen levels of vectored, prioritized interrupt control
11. single- or double-density floppy-disk controller for controlling up to four 5¼-inch or 8-inch drives
12. five 62-pin I/O-expansion-channel connectors (hardware compatible with the IBM Personal Computer) with space for four more
13. five-layer 9- by 12-inch printed-circuit board
14. BIOS for CP/M-86 in EPROM

Table 1: Features of the MPX-16 computer system.

Centronics-compatible printer port. This second port can also be used as a general-purpose 15-bit parallel interface with 10 output lines and 5 input lines. Fourteen of the I/O lines are connected to the port-B and port-C lines of the 8255. All 15 lines are buffered and connected to the 20-pin Bergstik connector J15. The 10 output lines from port B and bits 6 and 7 of port C drive sections of the open-collector buffers IC77 and IC78. The 5 input lines are buffered by IC77 and IC76, with pull-up resistors on the input lines to allow for use of open-collector drivers on the other end. Signal-return paths are provided on pins 14 through 18 of J15.

The two nondedicated parallel ports, which communicate to the outside world through the two 20-pin Bergstik connectors J16 and J17, are implemented with the 8155H-2, IC47. These two identical I/O ports, each with 11 I/O lines (three of which are used for handshaking control), are initialized by the software initialization routine as one 8-bit output port (J16) and one 8-bit input port (J17). Because these ports are meant to be used for varying purposes, the application software of the user will typically reinitialize the 8155 to suit the application. This is accomplished

by writing a new control word into the 8155's command/status register located at I/O address hexadecimal 1C0.

## Serial Interface

The MPX-16 system board contains two independent RS-232C asynchronous serial I/O ports (also known as serial channels). These are primarily intended to be used in connecting the system to video-display terminals, but they may be attached to any compatible RS-232C devices. One of the serial channels (CH0) has been defined as the console I/O port for the CP/M-86 operating-system software. The second serial port (CH1) is available for user-defined applications.

The two RS-232C serial ports are implemented with Intel 8251A USARTs (universal synchronous/asynchronous receiver/transmitters), as shown in figure 1. An 8251A is capable of transmitting and receiving simultaneously at different data rates; however, the MPX-16 system requires that the same rate be used for both transmitting and receiving. A split-speed application may be supported by using both serial ports, programmed to operate at different rates.

**Qume®**  
A Subsidiary of ITT

Circle 347 on inquiry card.

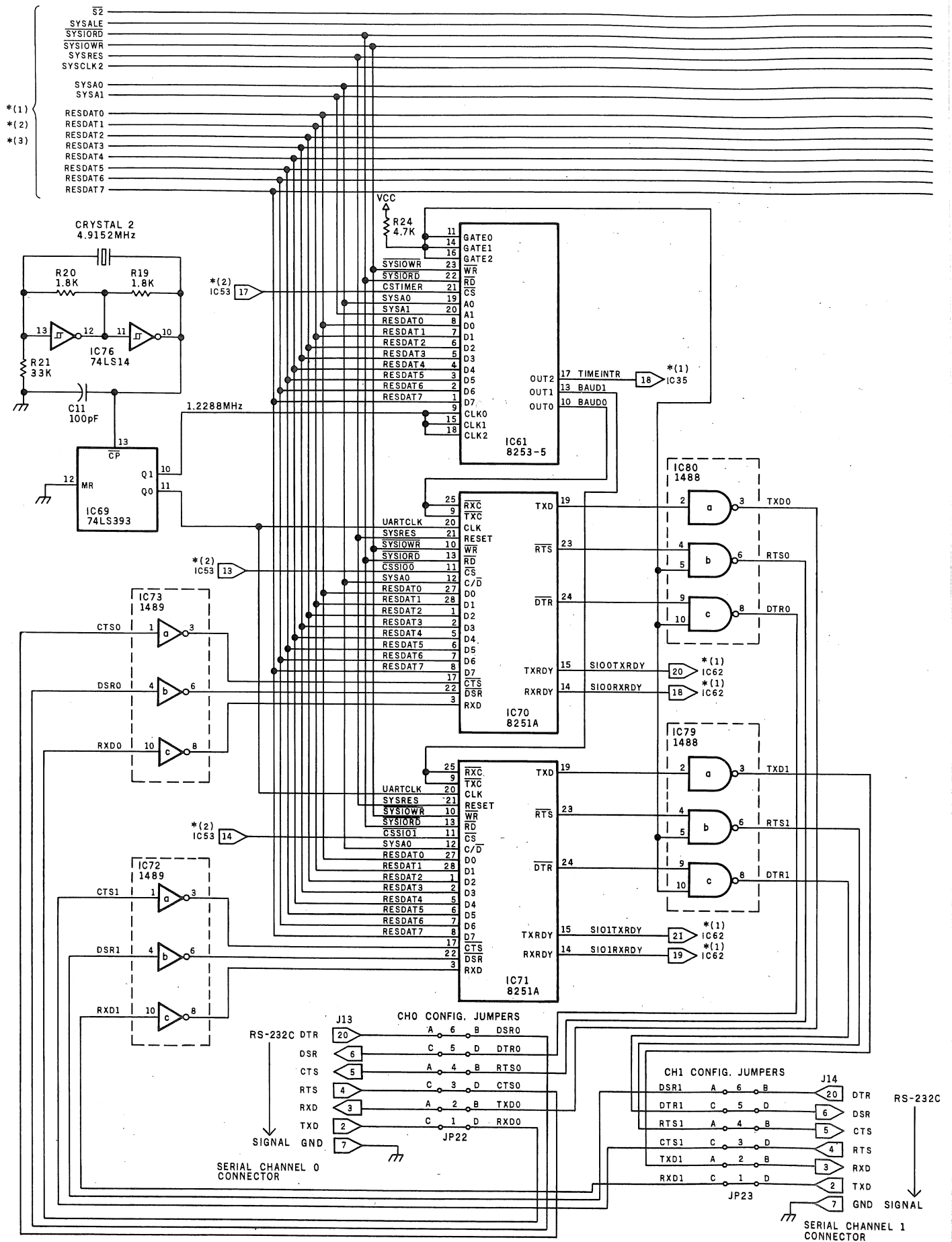
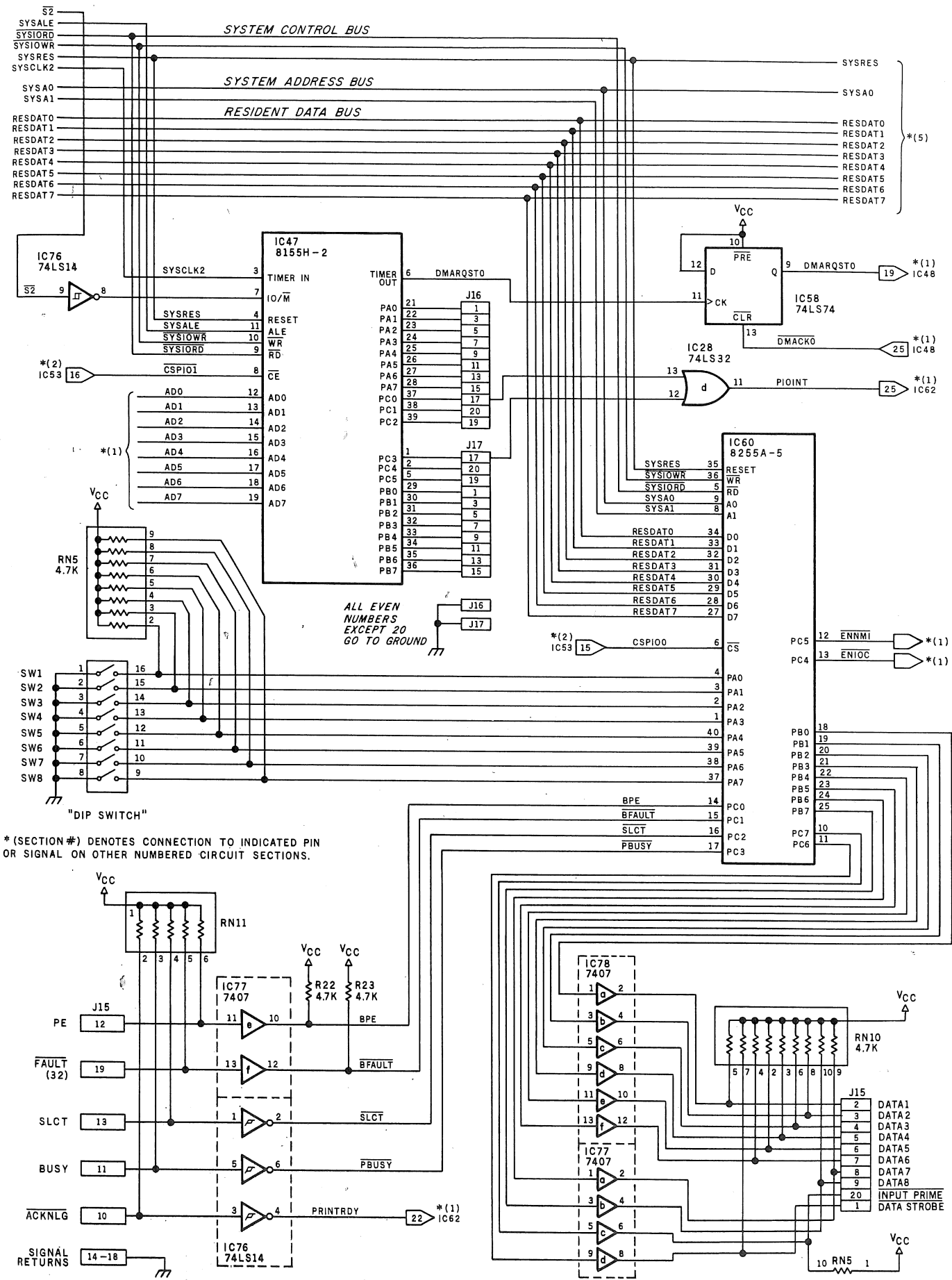


Figure 1: Section 4 of the schematic diagram of the MPX-16 computer. Section 1 appeared in November's article; sections 2 and 3 appeared in December's article. Connections to other sections of the schematic are shown by the notation \*(n), where n is the number of the other section.



Here are shown the interface circuits for the serial and parallel I/O ports: the 8251A USARTs and the 8255A-5 and 8155H-2 parallel-interface components.



# STATISTICS SO EASY, IT'S LIKE MAGIC.

S P E E D *Stat*™

professional statistical  
analysis system for  
Apple® computers

At last, there's a sophisticated statistics package that's easy to learn and simple to use: speedSTAT 1.

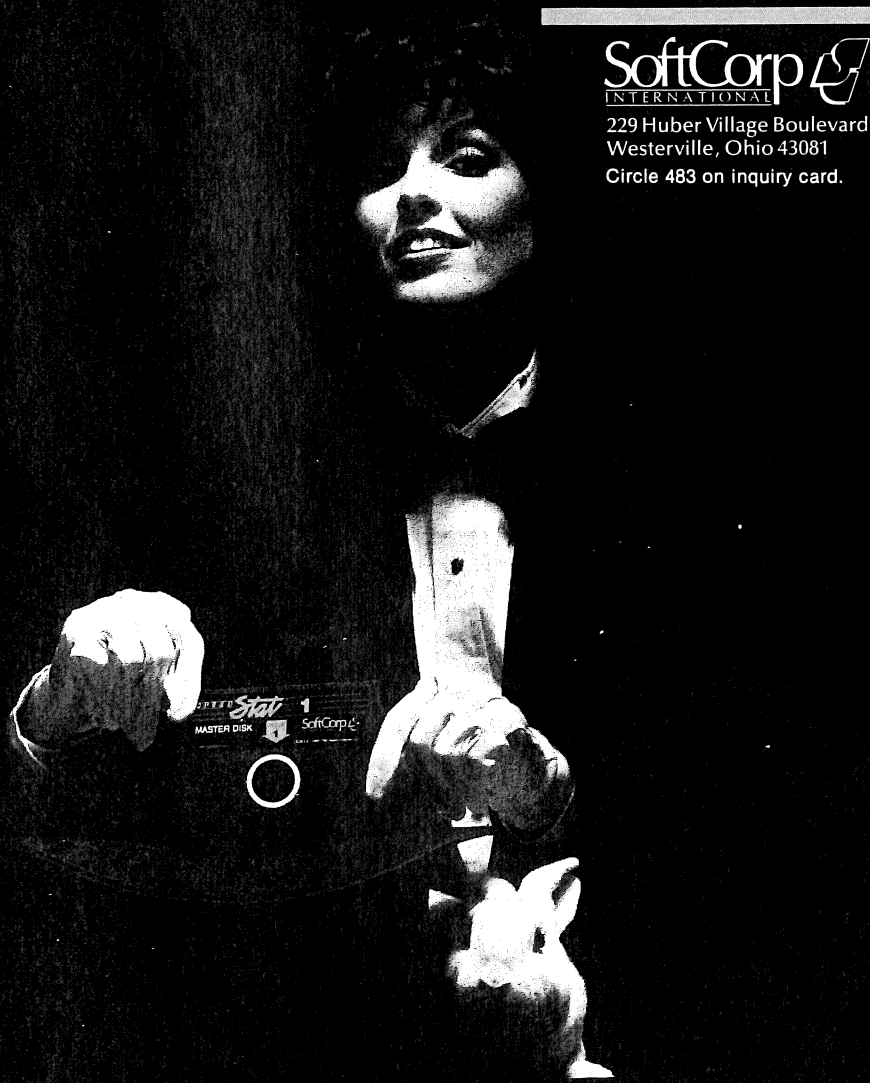
With extensive statistical analysis capabilities—including a capacity of over 10,000 data points and more than 30 different statistical measures—speedSTAT 1 is the next major tool in your software collection. It multiplies your capabilities... with some pretty magical results.

If you've relied on large computers for your statistical needs in the past, you'll appreci-

ate the convenience and affordability of speedSTAT 1. And even if you don't have much experience with computers or statistics, speedSTAT 1 will make your computer do the work, so you're free to think about the results.

Of course speedSTAT has a lot more up its sleeve. You can learn the details at your Apple dealer. Or call Toll-Free 800/543-1350 (in Ohio call collect: 513/891-5044) and we'll send you more information.

SpeedSTAT is a trademark of SoftCorp International, Inc. Apple is a registered trademark of Apple Computer, Inc.



**SoftCorp**  
INTERNATIONAL

229 Huber Village Boulevard  
Westerville, Ohio 43081  
Circle 483 on inquiry card.

Both transmitter-ready and receiver-ready interrupt-request signals are generated during communication sequences. These signals are fed into interrupt-request lines IR0, IR1, IR2, and IR3 of the slave 8259A programmable interrupt controller, IC62 (which appeared in section 1 of the schematic diagram in November's article). The channel-0 interrupts have priority over the channel-1 interrupts, and the receiver-ready interrupt requests have priority over the transmitter-ready requests.

Both types of request signals are active-high. The receiver-ready interrupt request, which signals the main processor that a character has been received and converted to a parallel format, is obtained from the 8251A USART's RXRDY output line. Similarly, the transmitter-ready interrupt request, which signals the processor that the 8251A is ready to transmit another character to a peripheral device, is taken from the TXRDY output line of the 8251A. (Each USART also provides four control lines that can be used for modem control.)

## Counter/Timers

Four independent counter/timers are found on the MPX-16 system board. All four are used for dedicated system functions and generally should not be used for other purposes. Three of these counter/timer circuits are part of the Intel 8253-5 programmable interval timer (PIT), IC61. The fourth one is the timer section of the 8155H-2, IC47, which was discussed above. All of the counter/timers are visible in section 4 of the schematic diagram, figure 1.

The 8253-5 PIT contains three independently programmable 16-bit counter/timer circuits capable of clock rates of up to 2 MHz (megahertz). These counters can be operated in any of six different modes: terminal-count-interrupt generator, programmable one-shot, rate generator, square-wave generator, software-triggered strobe, and hardware-triggered strobe.

On the MPX-16 system board, all three counter/timers of the 8253 PIT are programmed by the power-up-initialization software routine to

Circle 436 on inquiry card. →

operate in mode 3 (square-wave generator). The input clock signal that drives all three of the 8253's counter-clock-input lines is obtained from a simple crystal-controlled oscillator circuit consisting of a 4.9152-MHz crystal, a couple of inverter gates, a few resistors, and a capacitor. The output of this circuit, a 4.9152-MHz square wave, is then divided down by a 74LS393 binary counter to form a 2.4576-MHz USART clock and a 1.2288-MHz clock to drive the 8253 PIT counters.

The first counter circuit of the 8253 PIT is used as a software-programmable data-rate generator, producing a signal called BAUD0. Similarly, the second counter circuit is used to produce the data-rate signal BAUD1. The data rate for both serial channels is set at power-up for 9600 bps (bits per second) using a data-rate multiplier factor of 16. The system software then automatically initializes the data rate for the console serial channel (channel 0) when the user types a Return character in ASCII

(American Standard Code for Information Interchange). The first character must be Return for proper data-rate initialization. If the input data rate of the console terminal is not 9600 bps, the program reinitializes the counter-1 circuit of the 8253 to match the new data rate.

---

**So that system crashes  
will not occur,  
the memory-refresh  
signal must never  
be altered by  
application software.**

---

The third counter/timer circuit of the 8253 PIT is intended for use as a real-time clock for either time-of-day or software-timing-delay applications. This clock is initialized at power-up by software, preset for a 10-ms (millisecond) period (100 Hz). This clock output drives the IRO line of the master 8259A interrupt controller, IC35, and forms the highest-

priority maskable system interrupt. This timekeeping capability can be very useful in interrupt-driven, real-time process-control applications.

The fourth counter/timer on the MPX-16 system board is the timer section of the 8155H-2, IC47. This timer is driven by the SYSCLK2 (2.386-MHz) clock signal to produce the square-wave signal REFRQST, which has a period of 15.1  $\mu$ s (microseconds). The REFRQST output signal activates the periodic refresh operation required by the dynamic RAMs (random-access read/write memories). This vital signal must never be altered by the user's application software; if it is, system crashes may occur.

### Floppy-Disk Drive Controller

The MPX-16 system supports up to four floppy-disk drives. Versatility is provided by jumper-selectable features of the MPX-16's floppy-disk controller interface: either 5 $\frac{1}{4}$ -inch or 8-inch drives may be used and up to four drives may be attached to the

## Make your micro work like a mainframe.

First, neatly tape the "370" label onto your IBM Personal Computer.

Now slip a dBASE II™ disk into your main drive.

That's it: your IBM PC is now ready to run a relational database system, the kind IBM put on their mainframes last year.

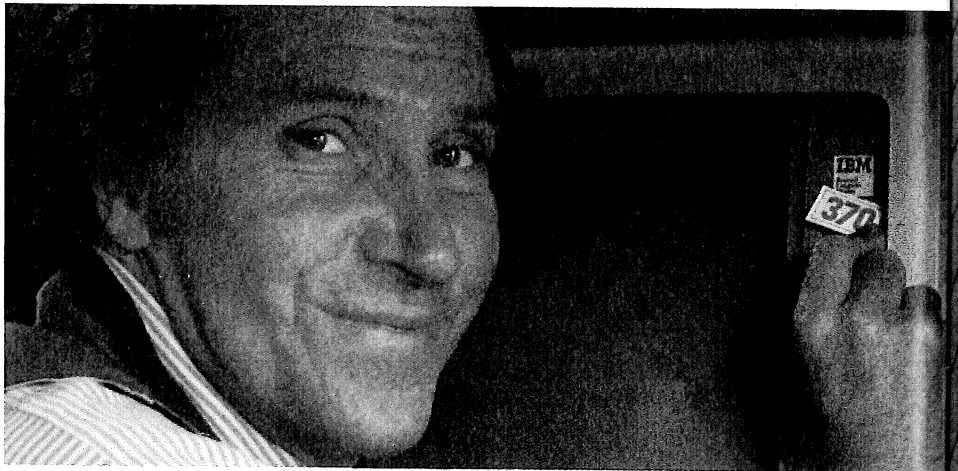
And you're ready with more data handling power than you would have dreamed possible before dBASE II.

With a word or two, you *create* databases, *append* new data, *update*, *modify* and *replace* fields, records and entire databases. *Display* any information, *report* months worth of data in minutes and *zip* through input screens and output forms.

You can use it interactively for answers right now. Or save your instructions and repeat everything with two words: *do Manhours*, *do Project X*, *do* whatever has to be done.

To try dBASE II free for 30 days, drop by your local computer store. Or if they're sold out, call us at (213) 204-5570. If you don't like it, you get your money back.

But if you do that, you'll have to remove the label. Because nothing short of a mainframe works like dBASE II.



## Ashton-Tate

© 1982 Ashton-Tate  
CP/M is a trademark of Digital Research  
Circle 37 on inquiry card.

## A. Power Lines

All power to the disk drives is supplied from an external power supply through separate power cables. A typical 5¼-inch floppy-disk drive will require approximately +5 V (volts) DC at 0.5 A (amps) and +12 V DC at 1 A. A typical 8-inch drive will require +24 V DC at 1.3 A, +5 V DC at 0.8 A, -5 V DC at 0.05 A and 115 V AC at 0.3 A.

## B. Output Lines

**DRIVESEL x:** The four drive-selection lines, numbered 0 through 3, are provided to enable the selected drive to respond to input signals and consequently to output data and/or status information. Each individual drive must be configured to respond to one of the four drive-select signals. This is usually accomplished via a programmable shunt header or a DIP switch. A drive is selected by a logic low state on the select line assigned to it.

**DIRECTION:** This control line defines the direction of motion of the selected drive's read/write head during a step operation. A high state (equivalent of logic 1) will cause the head to move out, toward the outer edge of the disk. A low state (logic 0) will cause the read/write head to move in, toward the center of the disk.

**STEP:** This control line causes the selected drive to move its read/write-head carriage one position in the direction controlled by the direction-select line. Each step is initiated by the low-to-high transition of the STEP pulse. Direction changes must occur at least 1 µs before the trailing edge of the step pulse.

**WR ENABLE:** The write-enable, or write-gate, signal enables the writing of data onto the disk when it is active-low. When this line is inactive-high, the read-data logic and head-step logic circuits are enabled.

**HEADLOAD x:** The four head-load lines, numbered 0 through 3, are alternative output lines which usually require the user to install or configure the drive unit to accept them. The head-load line can be used to load and unload the read/write head from the disk's surface. If desired, the heads may be kept loaded to avoid the 50-ms head-load time. Typically a drive will be configured so that the read/write head loads when either the drive-select line or the motor-on control line becomes active.

**MOTOR ON x:** Three output lines, numbered 0, 1, and 2, are provided for motor-on/motor-off control. The **MOTOR ON 0** line on pin 16 of J11 and J12 is the standard floppy-disk interface signal. The **MOTOR ON 1** and **MOTOR ON 2** lines are available as alternative output control lines. When the **MOTOR ON** line of the floppy-disk drive (if available) is driven active-low, the drive motor will be turned on, allowing reading or writing on the drive. Typically, a 1-second delay is required after activating the motor control line prior to reading or writing. To maximize motor life, the motor for the drive is usually turned off after 2 seconds if no commands have been issued to the drive.

**SIDeselect:** This output control line is used to select which side of a two-sided floppy disk is to be used for reading or writing. This line is provided for future system expansion; it is not supported by the current MPX-16 system software. A logic high on this line designates the read/write head on side 0, and a logic low indicates selection of the side-1 read/write head. A typical delay of 100 µs is required before reading or writing after switching sides.

**LOW CURRENT:** This output control line is an active-low signal used only by 8-inch drives. It causes a reduced current flow through the read/write head when writing data on tracks 43 to 76. When tracks 0 through 42 are selected, the low-current signal is high, causing a greater current flow.

**FAULT RESET:** This is an active-low output signal which can be used to reset a disk drive's fault logic, if the drive has some.

**WR DATA:** The write-data output line contains the serial data information to be written onto the disk. This signal is enabled by the **WR ENABLE** control line. Each positive transition on the **WR DATA** line causes the current through the read/write head to be reversed, thus writing a data bit onto the disk.

## C. Input Lines

**READY:** The active-low **READY** input line can be used to indicate the status of the disk drives when the circuitry in the drive supports such a function. This signal typically indicates that the drive motor is rotating at the correct speed and that two index holes have been detected after a disk has been inserted into the drive. If drive-ready indication is not supported by the drive being used, the jumper to ground must be installed. The **READY** signal is conditioned by a 150-ohm pull-up resistor and a Schmitt-trigger inverter.

**INDEX:** The **INDEX** interface line is an active-low signal that occurs once for each revolution of the disk. This signal indicates the logical beginning of a track. It is conditioned by a 150-ohm resistor and a Schmitt-trigger inverter.

**TRACK0:** This input line is active-low when the drive's read/write head is positioned over track 0 of the disk (the outermost track) and the access logic circuitry is driving current through phase 1 of the stepper motor's windings. This signal is at a logic 1 at all other times. The **TRACK0** signal is conditioned by a 150-ohm pull-up resistor and a Schmitt-trigger inverting buffer.

**TWOSIDED:** The active-low **TWOSIDED** input signal, for 8-inch drives, indicates that a double-sided disk is contained in the drive when low, and a single-sided disk is in the drive when high. This signal is terminated by a 150-ohm pull-up resistor and a Schmitt-trigger inverting buffer. This signal is not supported by the current system software but is available for future use as two-sided drives become more widely used.

**WRITE PROTECT:** This active-low input signal indicates that the disk inserted on the selected drive has been write-protected, and thus no write operations can be performed. On 8-inch drives, the write-protect notch is left uncovered to write-protect the disk; conversely for 5¼-inch drives, the write-protect notch on the disk must be covered to write-protect the disk. This input line is terminated by a 150-ohm pull-up resistor and a Schmitt-trigger inverting buffer.

**FAULT:** When available, on 8-inch drives, this input line indicates that a fault condition has been detected by the drive-control logic and that further operations on the drive should not be permitted. Thus active-low input is terminated by a 150-ohm pull-up resistor and a Schmitt-trigger inverting buffer.

**RD DATA:** The read-data input signal contains serial data and clock-bit information read from the disk when the **WR ENABLE** control line is high (inactive). This line provides an active-low pulse of approximately 200 ns for each flux reversal detected by the drive electronics, whether a data bit or a clock bit. This raw data signal is conditioned by a 150-ohm pull-up resistor and a Schmitt-trigger inverter.

**Table 2:** Descriptions of the floppy-disk-drive interface signals found in the MPX-16 system. Both 8-inch and 5¼-inch drives are supported by the floppy-disk controller.

system. Three drive-motor-control lines and four head-load-control lines are available; both 34-pin and 50-pin connectors, with industry-standard signal/pin assignments, are provided for 5¼-inch and 8-inch drives, respectively. A description of the functions of each interface signal is given in table 2 on page 66.

Either single- or double-density recording may be selected under software control. The normal disk format is compatible with the IBM 3740 for-

mat (in the 8-inch size) or with the IBM Personal Computer (in the 5¼-inch size—what might be called the IBM 5150 format), but this can be changed via a software modification. Single-density recording uses the FM (frequency modulation) technique, while double-density operation uses the MFM (modified frequency modulation) technique. (See reference 7 for an explanation of FM and MFM as applied to floppy disks.)

The heart of the floppy-disk inter-

face is an Intel 8272 single-chip floppy-disk controller, or FDC (IC21). This device appears in section 5 of the schematic diagram, figure 2 on pages 70 and 71, along with the rest of the floppy-disk interface logic.

The Intel 8272 was designed to be pin- and function-compatible with the NEC (Nippon Electric Company)  $\mu$ PD765 floppy-disk controller. These controllers support 15 software commands, processor-interrupt generation, DMA (direct memory access) data transfers, and generation of several control signals that can be used to reduce the amount of hardware support logic required to employ double-density recording formats. The 8272 FDC, in conjunction with the 8237A DMA controller, IC48, forms an efficient disk-interface subsystem.

There are six basic functional sections in the disk interface: clock-signal-generation logic, motor-on/off logic, drive-control logic, data-write logic, processor-interface logic, and data-recovery logic for reading the disk.

### Clock-Signal Generation

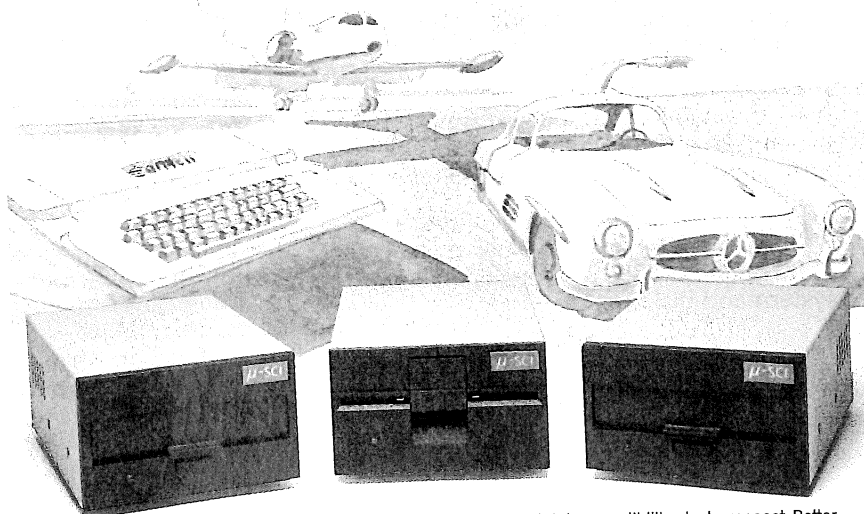
The 8272 FDC requires two external clock signals as input: a 4- or 8-MHz square-wave clock and a data-write clock, with a pulse duration of 250 ns (nanoseconds), that is pulsed at one of three frequencies.

The square-wave clock input at pin 19 of the FDC is derived from an 8-MHz crystal oscillator, IC10. If 8-inch drives are to be used, jumper JP16 must be installed and JP17 removed. This routes the 8-MHz clock directly to pin 19. When 5¼-inch drives are to be used, JP27 must be installed and JP16 removed, applying a 4-MHz signal to pin 19, instead.

The repetition rate of the 250-ns data-write clock pulse is 1 MHz, 500 kHz (kilohertz), or 250 kHz, depending on the disk-drive type and disk format. Multiplexer IC3 selects the correct clock frequency for the desired recording density. When the MFM signal coming from the 8272 is in a logic low state, single-density frequencies are selected. When MFM is high, the double-density frequencies are selected.

*Text continued on page 72*

# Excellence Acknowledged.



### Some people demand the best.

Superior quality at superior value identifies the "best" products, and the best in Apple II®-compatible drives is the Micro-Sci line of 5¼" floppy disk drives and subsystems.

Business people needing storage, reliability and fast access have been impressed with Micro-Sci's A40 system since we introduced it back in 1979. For a lower list price than the Apple Disk II®'s, the A40 offers 20Kb more capacity, faster access time and greater data reliability.

The Micro-Sci A70 drive combines quick access and high reliability with a full 286Kb storage capability.

The newest member of Micro-Sci's Apple II-compatible family, the A2, is a direct replacement for the Disk II,

featuring total compatibility at a lower cost. Better still, you can mix our A2 drive and controller with their drive and controller for complete freedom of interchangeability.

And Micro-Sci's controller includes operating features like jumper-selectable 3.2 and 3.3 DOS.

### Give yourself the privilege.

Micro-Sci delivers the most in quality, reliability and performance. So when you consider additional drives or a disk subsystem for your Apple II, indulge yourself in the Micro-Sci alternative.

See our complete product line today at a dealer near you.

*(SPECIAL NOTE TO APPLE III® USERS: Micro-Sci also offers a full range of Apple III-compatible drives. Ask your local dealer for details.)*



Micro-Sci is a Division of Standun Controls, Inc.

2158 SOUTH HATHAWAY STREET • SANTA ANA, CALIFORNIA 92705 • 714/662-2801 • TELEX: 910-346-6739  
International Dealer Inquiries... IMC International Markets Corp. Telephone: 714/730-0963 • Telex: 277782-ROBY UR

® Apple, Apple II, Apple III and Disk II are registered trademarks of Apple Computer, Inc.

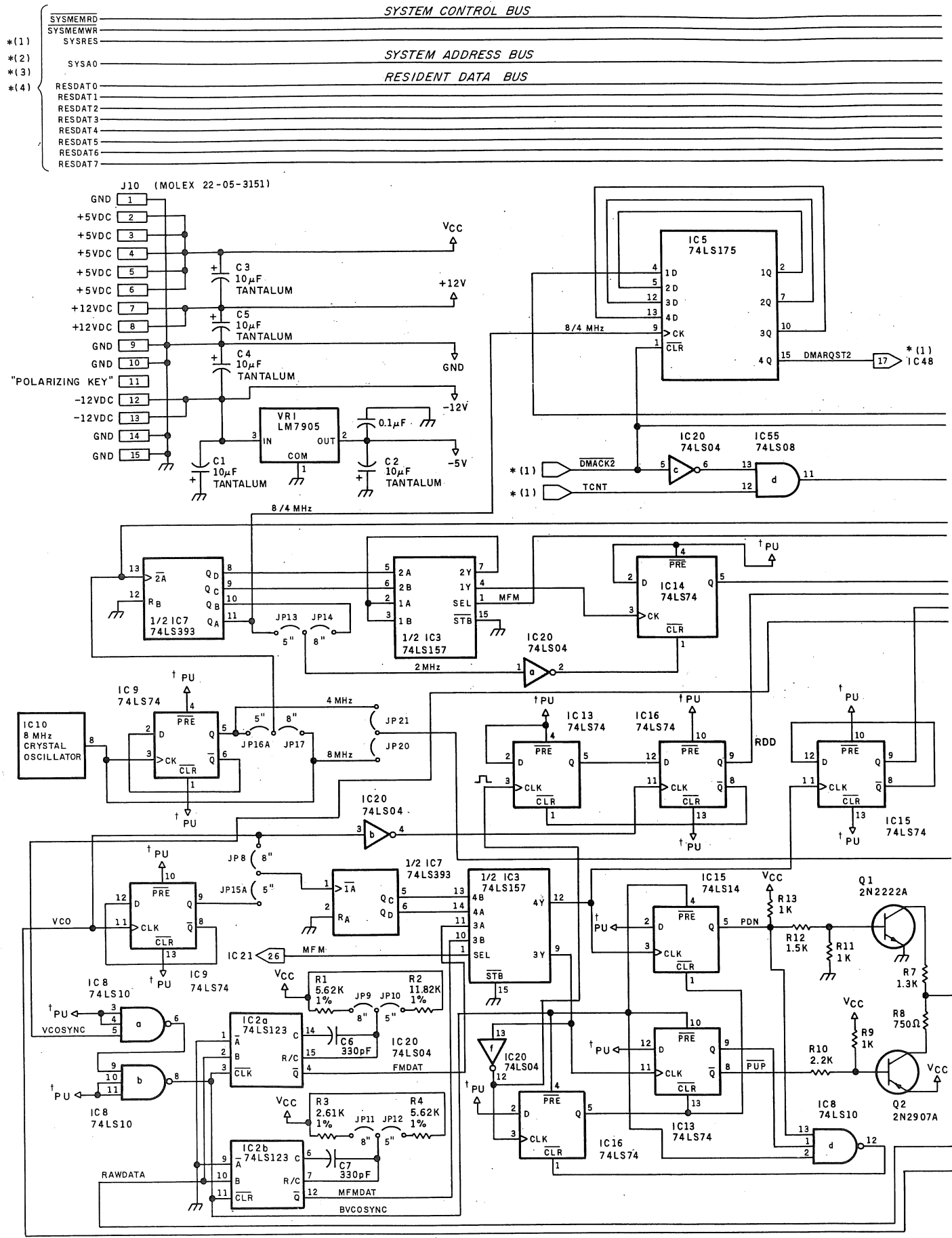
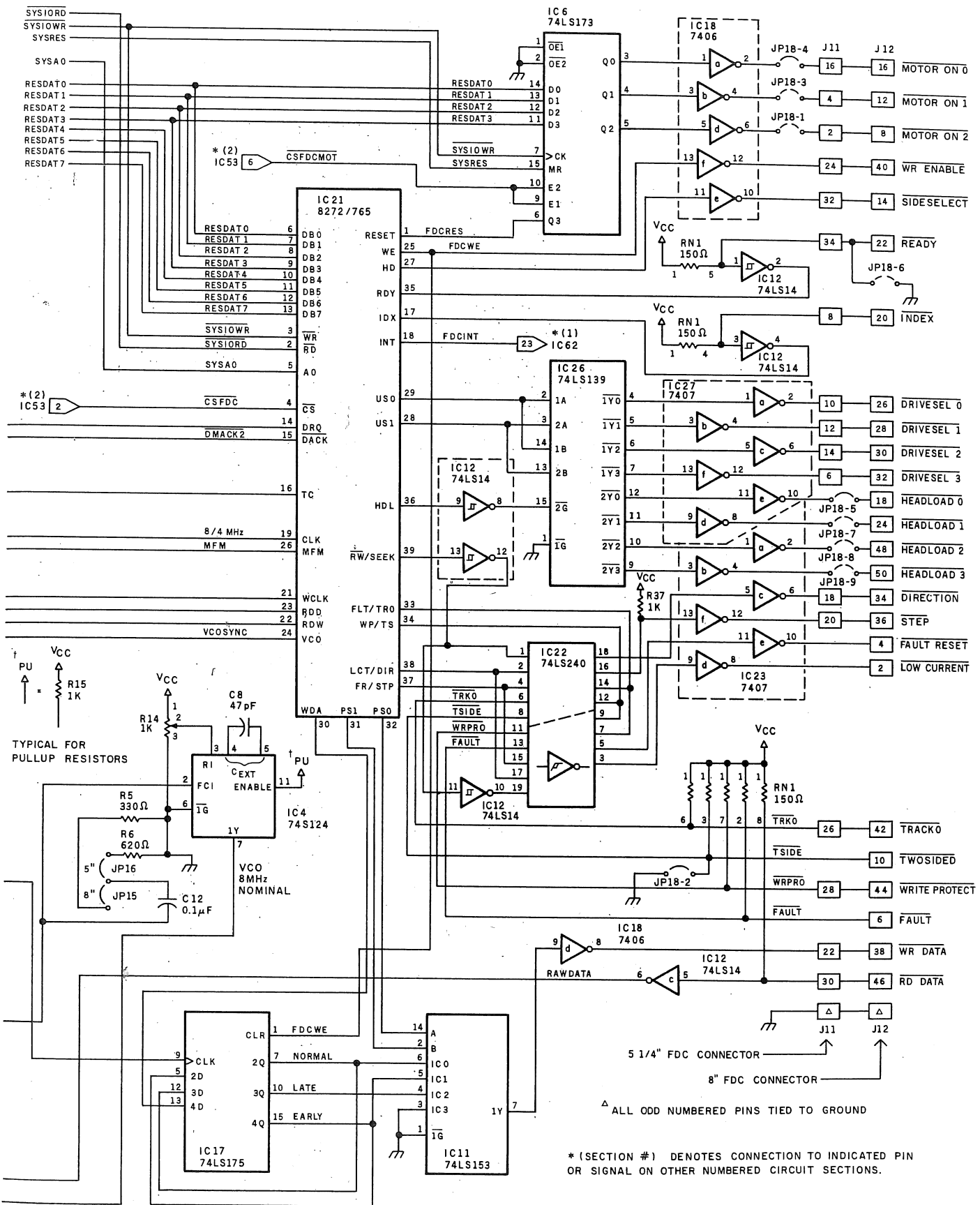


Figure 2: Section 5 of the MPX-16 schematic diagram. Here are shown the system-board power connections and the floppy-disk controller, including the PLL (phase-locked loop) circuitry used to recover data read from a disk. Connections for both 8-inch and 5¼-inch drives are shown.



A complete table of the MPX-16's integrated circuits was printed in the part 2 of this series (December 1982 BYTE, pages 56 and 60). The table included a listing of power connections and a cross-reference by schematic section.

## Motor Control

The floppy-disk-drive interface provides three separate motor-on/off control lines for the floppy-disk drives: MOTOR ON 0, MOTOR ON 1, and MOTOR ON 2. These signals are generated by a 74LS173 quad D-type register chip, IC6. The 4-flip-flop register is addressed as an I/O device residing on the resident data bus at hexadecimal address 0A0.

The Q0 output of IC6 controls the MOTOR ON 0 line. To turn the motor on, a logic 1 is written into Q0, and to turn off the motor a logic 0 is written. The Q1 and Q2 outputs of IC6 similarly control the MOTOR ON 1 and MOTOR ON 2 lines.

The MOTOR ON 0 line is connected to pin 16 on both J11 (the 5¼-inch-drive connector) and J12 (the 8-inch-drive connector). Use of this pin for motor control in floppy-disk interfaces is fairly standard throughout the computer industry. The other two motor-control lines are not standard but are provided to allow additional control, if needed, by wiring

the interface cable appropriately. The most common arrangement is for MOTOR ON 0 to control drive A, MOTOR ON 1 to control drive B, and MOTOR ON 2 to control drives C and D. All three control lines have an onboard jumper that can be used to disconnect the signal from the disk-drive connectors.

## Drive-Control Logic

The floppy-disk-interface drive-control logic consists of all control signals other than the motor-on/off control signals supplied to or received from the electronic circuitry inside the floppy-disk drives. All of the output signal lines are driven by type-7406 open-collector inverting drivers or type-7407 open-collector noninverting drivers. All input signal lines are conditioned by 150-ohm pull-up resistors and 74LS14 Schmitt-trigger inverter gates. All of the signals, input and output, are active-low.

The RW/SEEK line of the 8272 FDC is used to multiplex eight DC in-

terface signals onto four pins of the 8272. When the FDC is in the seek mode (with RW/SEEK low), pin 19 of the 74LS240 octal inverting buffer IC22 is driven low. This causes the TRACK0 and the TWOSIDED signals to be input into pins 33 and 34 of the FDC, and the DIRECTION and STEP signals from pins 38 and 37 to be output to the drives.

When the FDC is in the read/write mode (with RW/SEEK high), pin 1 of the inverting buffer IC22 is driven low. This allows the WRITE PROTECT and FAULT signals to pass into pins 34 and 33 of the FDC and lets the FAULT RESET and LOW CURRENT signals from pins 37 and 38 of the FDC pass to the drive. Note that the four signals that were gated by a low state on the RW/SEEK line are now blocked by the high-impedance state of their buffer sections. A pull-up resistor is provided to ensure that a false STEP command is not issued to the drive units.


The 8272 FDC provides two control signals to select one of four drives, US0 and US1 on pins 29 and 28. These two lines drive the 74LS139 dual 2-to-4-line demultiplexer, IC26, which selects the desired drive by placing a low state on the corresponding DRIVESEL x line. The signals from US0 and US1 are tapped off to another section of the demultiplexer to activate the head-load signal at the same time. (The interface may be wired to load all heads together or separately.)

The HD (head-select) output of the 8272, pin 27, is available for applications where two-sided disk drives are available. This signal can be used to select one of the two read/write heads. Initially, the MPX-16 system software supports only single-sided drives and does not use this control signal. A two-sided modification will eventually be incorporated.

Two input pins, the READY and INDEX signals are conditioned by 74LS14 Schmitt-trigger inverters and routed directly to the 8272. The READY line can be jumpered to ground if the attached drives do not provide a status-ready indication. An index pulse occurs once per revolu-

# BYTEWRITER®

## DAISY WHEEL PRINTER



**\$795**  
plus shipping

**FEATURES**

- Typewriter operation with nothing to disconnect
- 10, 12 or 15 characters per inch switch selectable
- Portable with carrying case
- Entire interface mounted internally in the Olivetti Praxis 30 typewriter
- Underlining
- Cables available for most computers
- Service from Olivetti dealers
- Centronics compatible parallel input
- Built in self test
- Cartridge ribbon
- 2nd keyboard switch selectable.

**BYTEWRITER**

125 NORTHVIEW RD., ITHACA, N.Y. 14850  
(607) 272-1132

tion of the disk when a soft-sectored floppy disk (the type supported by the MPX-16) is being used in the selected drive.

### Data-Write Logic

The data-write logic consists of the 74LS175 quad type-D flip-flop IC17 and the 74LS153 4-to-1 decoder, IC11. The 74LS175 is configured as a shift register clocked by the single/double-density write clock, which provides the precompensation required for double-density recording. The actual value (250 or 125 ns) depends on the particular drive size being used and is selected by jumpers JP20 and JP21.

### Data-Recovery Logic

The data-recovery (data-read) logic of the floppy-disk interface, shown on page 70 of figure 2, is fairly complex, due to the subtleties of MFM double-density recording. The MPX-16 uses a PLL (phase-locked-loop) circuit to decode the double-density data. The 8272 floppy-disk

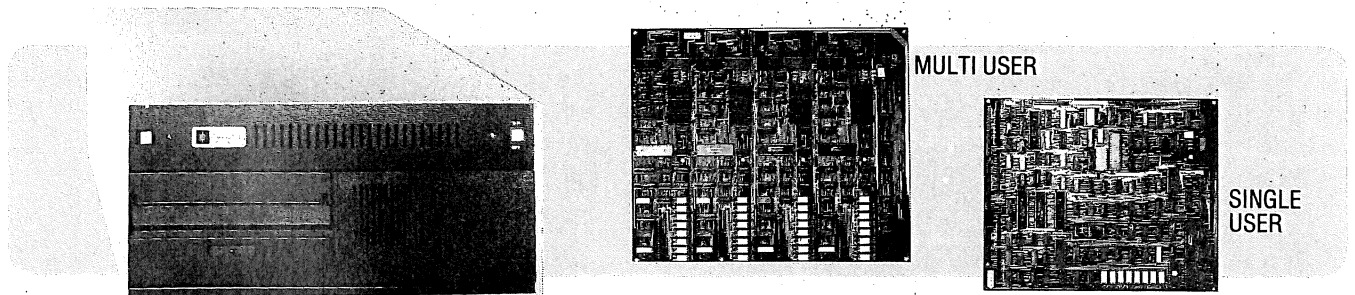
controller, IC21, requires two input signals, the RDD and RDW signals at pins 23 and 22, respectively, to be generated from the raw-data signal read from the disk and transmitted to the interface by the drive electronics. The RDD signal consists of one positive pulse for each magnetic-flux reversal read from the disk, which can signify either a clock bit or a data bit. The RDW signal tells the 8272 of the status of the "data window" (a period of time in which a pulse may or may not occur), which is used by the 8272 to determine if the flux reversal is a data bit or a clock bit (see reference 7).

The 8272 provides two output signals, the VCOSYNC and MFM signals, that simplify the implementation of a PLL data-recovery circuit. The VCOSYNC signal goes active-high when valid data is being read from the disk and is used to enable the PLL logic. When a gap area (a place on a floppy disk where no data is recorded—for example, between the disk's identification and data

fields) is being read by the read/write head, the VCOSYNC signal goes low to disable the PLL. In addition, the VCOSYNC signal can be high only after the read/write head has been loaded and the head-load time has elapsed. The MFM signal from the 8272, when active-high, indicates that the 8272 has been programmed for double-density operation; when MFM is inactive-low, single-density operation is indicated. This signal, along with the data-recovery logic, allows the recording mode to be software-selected between single- and double-density operation.

The active-high RAWDATA pulses from the disk-drive circuitry trigger two one-shot multivibrator sections, both in IC2, which serve as pulse shapers for the phase-detector logic. Section IC2a shapes the single-density (FM) data pulses, while section IC2b works for double-density (MFM) data. Separate one-shots are provided for the MFM and FM modes so that the recording format can be selected only by software.

## SB-80/4 The affordable singleboard microcomputer with multi-user, multi-tasking muscle and brains.



**SB-80/4** A complete microsystem for the user who demands speed and storage capacity in single or multi-user applications. Choose our true CP/M® compatible MuLti/NET™ or TurboDOS™ operating system.

**Single Board Technology** This multiprocessor board allows each user (up to four) a dedicated Z80A microprocessor and 64K of RAM. The master-slave architecture, residing in the same enclosure, supervises all user requests for storage and peripherals through four channel DMA.

**Memory and Disk Storage** 320K of 200ns dynamic RAM combined with five (5) Z80A microprocessors provides the hardware to independently multi-task the operation. On board interface for Winchester type disk controller

allows from 5 to 104 megabytes of storage for applications that require large database files and records. The four parallel and six serial ports provide the muscle to support numerous peripherals.

**Software** InfoSoft's MuLti/NET provides the most efficient multi-processor operating system. Software 2000 Inc.'s TurboDOS offers speed and performance.

*Dealer and OEM inquiries are welcome.  
Nationwide field service through INDESERV.*



Colonial Data

Colonial Data Services Corp., 105 Sanford Street, Hamden, Conn. 06514 • (203) 288-2524 • Telex: 956014

™ MuLti/NET is a Trademark of InfoSoft Systems, Inc. ©CP/M is a registered trademark of Digital Research, Inc. ™ TurboDOS is a trademark of Software 2000 Inc.





If you use a Word Processor, you need

## GRAMMATIK™

### Beyond Spelling Checking

Grammatik can find **over 15 different** kinds of common errors missed by simple spelling checkers alone, including punctuation and capitalization errors, overworked and wordy phrases, and many others. Use Grammatik with Aspen Software's spelling checker Proofreader, featuring the Random House Dictionary®, or with your current spelling checker for a complete document proofreading system.

#### Read what the experts say:

**"The perfect complement to a spelling checker."**

Alan Miller, *Interface Age*, 5/82

**"A surprisingly fast and easy tool for analyzing writing style and punctuation."**

Bob Loudon, *InfoWorld*, 12/81

**"Anyone involved with word processing in any way is encouraged to get this excellent program."**

A.A. Wicks, *Computronics*, 6/82

**"A dynamic tool for comprehensive editing beyond spelling corrections."**

Dona Z. Meilach, *Interface Age*, 5/82

**"A worthy and useful addition to your word processing software."**

Stephen Kimmel, *Creative Computing*, 6/82

**Works with CP/M®, IBM-PC®, TRS-80®**

**Grammatik \$75.00**  
**Proofreader \$50.00**

Order directly from Aspen Software, or see your local dealer. Specify your computer system configuration when ordering! Visa, Mastercard accepted.

Random House is a registered trademark of Random House, Inc. Other registered trademarks: CP/M: Digital Research -- TRS-80: Tandy Corp. -- IBM: IBM -- Proofreader, Grammatik: Aspen Software Co.

**Aspen Software Co.**

P.O. Box 339-B Tijeras, NM 87059  
(505) 281-1634



The one-shots take the raw data pulses from the drive and stretch or shrink them to a constant length, as required. The duration of the output pulses of the one-shots is determined by resistors R1 through R4 and capacitors C6 and C7. Jumper connections JP9 through JP12 are used to set up the correct pulse duration for 5¼-inch or 8-inch drives. The RC (resistance/capacitance) values are chosen to provide a shaped data pulse width that is one-half the duration of the data window. These values are 2 μs for 5¼-inch and 1 μs for 8-inch FMDAT (single-density data) pulses, and 1 μs and 500 ns for 5¼-inch and 8-inch MFMDAT (double-density data) pulses, respectively.

A type-74S124 voltage-controlled oscillator (VCO), IC4, generates a free-running 8-MHz VCO output frequency used to track the incoming data stream. The VCO frequency is also divided by 2 to produce a 4-MHz clock pulse. Jumpers JP8 and JP15 select the correct VCO frequency for the type of drive in use (8 MHz for 8-inch and 4 MHz for 5¼-inch).

The read-data pulse for the 8272's RDD input is derived from IC13 and IC16. Pin 5 of IC13 (the Q output) goes high when this flip-flop detects the rising edge of each inverted data pulse, which corresponds to the leading edge of the negative-going raw data pulse from the disk drive. On the rising edge of the next inverted 8-MHz VCO-clock pulse, the Q output of IC13 is then clocked into flip-flop IC16, forming the positive RDD pulse required by the 8272.

### CP/M-86 BIOS

Digital Research's CP/M-86 operating system is designed to operate in almost any 8086- or 8088-based micro-computer system. This flexibility has been made possible by dividing the operating-system code into functional sections, one of which is accessible to the computer's manufacturer, dealers, and users. This section is the lowest-level portion and is called the *basic input/output system* or BIOS (usually pronounced "by-ahs" or "by-ohs" for short).

The higher-level BDOS (basic disk operating system—"bee-dahs"), the

nucleus of CP/M-86, calls on the BIOS to gain access to the physical hardware of the computer system, in our case, the MPX-16. This provides a very machine-independent environment for the BDOS.

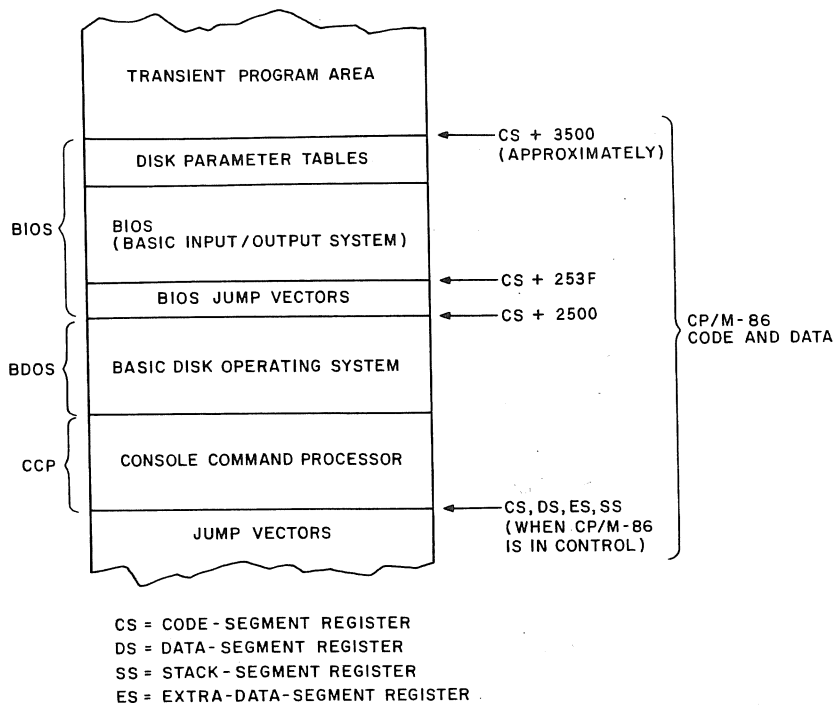
Imagine the BIOS as a slave that the BDOS can order around. The BDOS knows what it wants to do (communicate with the disk controller or console serial port, for example) but doesn't know exactly how to talk to the hardware. It does have rapport with the BIOS, though, and can ask the BIOS to communicate with the hardware and return the results.

As a user, you will almost always receive your CP/M-86 computer system with a customized BIOS previously installed by your manufacturer or dealer. But if you buy CP/M-86 directly from Digital Research, it will not contain a BIOS that will work with the MPX-16. To support this project, I have arranged for a customized BIOS to be written, burned into EPROMs, and distributed by The Micromint for use with the MPX-16.

The inner workings of the BIOS and full instructions on how to customize it are too complex to deal with in this article and are covered in great detail in the CP/M-86 documentation, so rather than duplicate that material, I shall attempt to explain in English terms what the various parts of the BIOS do.

### BIOS Organization

The BIOS portion of CP/M-86 resides constantly in user memory during normal system operation. When power is first applied to the MPX-16, the 8088 processor comes up executing instructions at the very top of memory, in the space assigned to EPROM in the MPX-16. The first instruction it encounters is an initialization vector that causes control to branch to the initialization routine. This routine first performs diagnostic operations to make sure that the system is working properly, then it copies the BIOS out of its storage locations in the EPROM into addresses low in memory. Control is then transferred to the cold-start vec-



**Figure 3:** Memory map of the CP/M-86 operating system as configured for the MPX-16. In 64K-byte systems, the CS, DS, SS, and ES registers will all contain a value of zero, and the segments will overlap. User programs are loaded into the TPA (transient program area).

Offset from Start of BIOS	Instruction	BIOS Function Number	Description
0000	JMP INIT	0	cold start
0003	JMP WBOOT	1	warm start
0006	JMP CONST	2	console status check
0009	JMP CONIN	3	console character input
000C	JMP CONOUT	4	console character output
000F	JMP LIST	5	list-device character output
0012	JMP PUNC	6	punch-device character output
0016	JMP READER	7	reader-device character input
0018	JMP HOME	8	move to track 0
001B	JMP SELDSK	9	select a disk drive
001E	JMP SETTRK	10	set track number
0021	JMP SETSEC	11	set sector number
0024	JMP SETDMA	12	set DMA-offset address
0027	JMP READ	13	read selected disk sector
002A	JMP WRITE	14	write selected disk sector
002D	JMP LISTST	15	return list-device status
0030	JMP SECTTRAN	16	sector translation
0033	JMP SETDMAB	17	set DMA segment address
0036	JMP GETSEGB	18	get MEM region table offset
0039	JMP GETIOB	19	get IOBYTE
003C	JMP SETIOB	20	set IOBYTE

**Table 3:** BIOS (basic input/output system) jump vectors for CP/M-86 on the MPX-16. These jump instructions are the 21 entry points to the BIOS. The BDOS module calls these subroutines when it needs to send commands or receive data from the actual hardware (machine-dependent) interfaces, such as disk drives or serial ports. The offset address is from the start of the BIOS, which is located at an address in memory hexadecimal 2500 locations up from the start of the CCP/BDOS code segment.

tor of CP/M-86, and normal operation begins.

Figure 3 shows a typical memory map for a CP/M-86 installation. The BIOS is made up of several subsections. The first 63 bytes contain 21 jump vectors, each 3 bytes long. Each jump vector is an instruction to transfer control to the address in memory of a routine that performs an assigned low-level function, such as restarting CP/M-86 or getting a console character. These functions are listed in table 3.

As shown in figure 3, the BIOS resides in memory at an address offset by hexadecimal 2500 from the base address of CP/M-86. This offset is constant, but the upper boundary of the BIOS may change, depending on the size and special requirements of the microcomputer hardware. For example, some disk controllers are interrupt-driven, some are set up to use DMA transfers, and some use regular I/O transfers to communicate with the processor. The complexity of the BIOS depends on how many different features like these it must support.

The first two jump vectors, as shown in table 3, are for system re-initialization. The first one is called directly by the CP/M-86 loader program and performs any needed hardware initialization when CP/M-86 is loaded "from cold start" (for the first time after the computer is turned on). The second is called the "warm-start" vector because it is called whenever a program terminates (through BDOS function 0). After the warm-start operation has been completed, control is immediately transferred to the part of CP/M-86 with which the user converses, the console command processor, or CCP.

The next six jump vectors in table 3 transfer control to various character-I/O routines. In all of the routines, a character being sent out to a device must be placed in the CL register, and any character or status information being returned will appear in the AL register. For example, CONST, CONN, and CONOUT pass characters to and from the logical console device in this manner. The next vector (LIST) sends a character to the

logical list device (usually the printer). Further down, we see that function 15 (LISTST) returns the status of the list device.

The reason why the list-status routine is not located adjacent in memory to the list-output routine is simple: when the first version of CP/M-80 was written, no list-status routine existed. It was added later, but to avoid rearranging all the jump vectors, it was added as function 15. In CP/M-86, other jump vectors were added after it. The logical device names Reader and Punch are actually obsolete. They were intended for a paper-tape reader and punch, but these routines are now used to operate various auxiliary input and output devices.

### Disk I/O Routines

BIOS functions 8 through 14 and function 16 are used for disk-controller communications. For example, the HOME function causes the currently selected disk to return to track 0 (that is, it causes the read/write head to seek to the outermost track). The SELDSK function activates the disk drive whose address is passed in the CL register and makes it the current disk (this is how the default disk is activated).

The READ and WRITE functions transfer a single record (128 bytes)

from the current DMA buffer (set with SETDMA) to or from the currently selected disk (SELDISK) at the current track and sector (SETTRK and SETSEC). The BDOS refers to the disk directory on disk to know where to read or write information when needed.

### Disk-Definition Tables

All of the recently introduced operating systems from Digital Research, including CP/M-86 and CP/M-80 version 2.2, are table-driven. This means that all the disk definitions and storage-allocation information is kept in tables in the section of memory occupied by the BIOS, rather than in the BDOS. This allows for flexibility in interfacing disk drives and other peripheral devices to the system. Early versions of CP/M-80 assumed that all disks attached to the system were identical: 8-inch single-density drives. Now, many systems have one to four floppy disks, and perhaps an additional hard disk, for mass storage. A few even have so-called RAM disks (large-capacity semiconductor random-access read/write memories set up to simulate disk drives). Because the modification of the tables is usually performed by an experienced programmer, the user rarely has the need to modify them. (To keep this article from running

overlong, I'll let those of you who are really interested look to the CP/M-86 documentation to learn those software mysteries.)

### In Conclusion

That's all the information on the MPX-16 we can reasonably cover in three magazine articles, but more information is available for those of you who need it in the *MPX-16 Technical Reference and User's Manual*, available separately from The Micro-mint.

You've probably noticed a great reliance on Intel components throughout the computer. These are present in the MPX-16 for compatibility, because they are used in the IBM Personal Computer, but I suspect that IBM's design team selected these components because of Intel's foresight in promptly supporting its 16-bit microprocessors with parts that work well together, at reasonable cost, in a complete solution to a computer-design problem.

Overseeing the design of the MPX-16 has been quite an adventure for me these past few months. I hope you've enjoyed reading this epic.

### Next Month:

*We'll look at a single-line alphanumeric liquid-crystal display for use in a portable computer terminal.* ■

Saturday  
February 5th, 1983  
10AM to 6PM

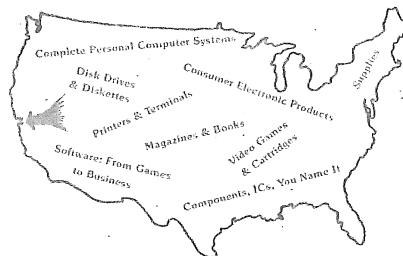


A High-Technology Flea Market and Mini Show  
for Personal Computing Enthusiasts

Santa Clara County Fairgrounds  
Exposition Hall  
344 Tully Road  
San Jose, California

**Question:**  
Why do they call it Computer Swap America if it's only held in Northern California?

**Answer:**  
Because manufacturers, software producers, computer stores, consumer electronic outlets and individuals come from all over the country to sell their products within the highest concentration of computer enthusiasts in the country—the San Francisco Bay Area.



**Admission: \$5.00**

**Seller's Information Package:**  
Computer Swap America  
PO Box 52  
Palo Alto, CA 94302  
(415) 494-6862

**Consignment Table Information:**  
415-351-3177

**Single Selling Spaces: \$40 for selling personal items, all others \$125**

Auctions, door prizes and a bit of craziness make this a fun event...not one to be missed.